



# X3-Fit Series User Manual 6.0kW - 15.0kW



EN



**SolaX Power Network Technology (Zhejiang) Co., Ltd.**

ADD.: No. 288 Shizhu Road, Tonglu Economic Development Zone,  
Tonglu City, Zhejiang Province, China.

Tel.: +86 (0) 571-56260011

E-mail: [info@solaxpower.com](mailto:info@solaxpower.com)

320101043304

## Copyright Declaration

The copy right of this manual belongs to SolaX Power Network Technology(Zhejiang) Co., Ltd.(SolaX Power Co., Ltd. ). Any corporation or individual should not plagiarize, partially or fully copy it (including software, etc. ), and reproduction or distribution of it shall not be allowed in any form or by any means. All rights reserved. SolaX Power Network Technology (Zhejiang) Co., Ltd. reserves the right of final interpretation. The contents are subject to change without prior notice.

[www.solaxpower.com](http://www.solaxpower.com)

---

## Change History

Changes between document versions are cumulative. The latest version contains all updates made in previous versions.

### Version 04 (July. 26, 2023)

- Update 7.3 LCD Operation (Correct the mistake in 27) in page108.)
- Update 5.3 Battery Connection (Update the compatible battery models and quantity)
- Update 7.3 LCD Operation (Add Meter/CT Check under Meter/CT setting interface and add Super-Backup under EPS setting.)
- Update 1.3.1 Important Safety Instruction (Correct some notices.)

### Version 03 (May. 08, 2023)

- Update 2.3 Work Modes and 7.3 LCD Operation (Added peak shaving mode under work modes chapter.)
- Update 7.3 LCD Operation (Updated the LCD display under most settings.)
- Update 4.2 Packing List (Added a RJ45 connector in the packing list.)
- Update 5.4.3 Parallel Connection (Updated the description.)

### Version 02 (Dec. 14, 2022)

- Update the inverter power (Added 10.0K-D for the certification of Belgium)
- Update 2.3 Work Modes (Separated the description of the forced charging period and allowed discharging period)
- Update 2.2 Electrical Block Diagram of the System (Changed the place of RCD in the W and M version diagram in Australia)
- Update 5.5.3 Parallel Connection (Added a note about "External ATS" setting and corrected the port of the inverter the meter connected to)
- Update 7.3 LCD Operation (Changed the "External ATS" setting)
- Update 3 Technical Data (Revised the description of some data and added some new parameters.)
- Update 1.3.2 Explanation of Symbols (Deleted the icon and description of "UNKI")
- Update 5.5.4 COM Communication (A computer is connected to an inverter through a USB-RS485 converter.)

**Version 01 (Sept. 9, 2022)**

- Update 1.3.2 Explanation of Symbols (Deleted the icon of "TUV")
- Update 4.2 Packing List (Changed the WiFi Dongle optional)
- Update the design and cover page (Changed the telephone number and changed the design layout tolerance)
- Update 1.3.3 EC Directives (Updated the corresponding standards)
- Update 3 Technical Data (Added "Nominal AC Output Current")

**Version 00 (Jul. 15, 2022)**

- Initial release

## Contents

<b>1 Note on this Manual</b> .....	<b>03</b>
1.1 Scope of Validity.....	03
1.2 Target Group.....	03
1.3 Symbols Used.....	03
1.3.1 Important Safety Instructions.....	04
1.3.2 Explanation of Symbols.....	08
1.3.3 CE Directives.....	10
<b>2 Introduction</b> .....	<b>11</b>
2.1 Basic Features .....	11
2.2 Electrical Block Diagram of the System .....	11
2.3 Work Modes.....	14
2.4 Dimensions .....	16
2.5 Terminals of Inverter.....	17
<b>3 Technical Data</b> .....	<b>18</b>
3.1 DC Input .....	18
3.2 AC Output/Input .....	18
3.3 Battery.....	19
3.4 Efficiency, Safety and Protection.....	19
3.5 EPS(Off-grid) Output .....	20
3.6 General Data.....	20
<b>4 Installation</b> .....	<b>21</b>
4.1 Check for Transport Damage .....	21
4.2 Packing List.....	21
4.3 Installation Precautions.....	23
4.4 Tool Preparation.....	24
4.5 Installation Site Conditions.....	26
4.5.1 Installation Carrier Requirements .....	26
4.5.2 Installation Requirements.....	27
4.5.3 Installation Space Requirements.....	27
4.6 Mounting.....	28



**5 Electrical Connections.....31**

5.1 Grid Port and EPS(Off-grid) Output Connection..... 31  
 5.2 EPS(Off-grid) Block Diagram..... 32  
 5.3 Battery Connection.....41  
 5.4 Communication Connection.....45  
     5.4.1 Introduction to DRM Communication..... 45  
     5.4.2 Introduction to meter Communication..... 46  
     5.4.3 Parallel Communication.....48  
     5.4.4 COM Communication.....54  
     5.4.5 Communication Connection Steps.....56  
 5.5 Grounding Connection(Mandatory).....63  
 5.6 Monitoring Connection(Accessories).....66  
 5.7 Check All below Steps before Starting Inverter.....68  
 5.8 Inverter Operation.....69

**6 Firmware upgrading.....71**

**7 Setting.....75**

7.1 Control Panel.....75  
 7.2 Menu Structure.....76  
 7.3 LCD Operation.....77

**8 Troubleshooting..... 113**

8.1 Trouble Shooting.....113  
 8.2 Routine Maintenance..... 119

**9 Decommissioning..... 120**

9.1 Disassembling the Inverter.....120  
 9.2 Packaging.....120  
 9.3 Storage and Transportation.....120  
 9.4 Waste Disposal .....120

**10 Disclaimer.....121**

**\* WARRANTY REGISTRATION FORM**

**1 Notes on this Manual**

**1.1 Scope of Validity**

This manual is an integral part of the inverter, it describes the assembly, installation, commissioning, maintenance and failure of the product. Please read it carefully before operating.

X3-Fit-6.0-W	X3-Fit-8.0-W	X3-Fit-10.0-W X3-Fit-10.0K-W	X3-Fit-15.0-W
X3-Fit-6.0-M	X3-Fit-8.0-M	X3-Fit-10.0-M	X3-Fit-15.0-M

Note: "**X3-Fit**" Series refers to the energy storage inverter that supports photovoltaic grid-connected.

"**6.0**" means 6.0kW.

"**10.0K-W**" is in compliance with C10/11.

"**W**" means that Matebox cannot be connected externally.

"**M**" means that matebox can be connected externally.


Keep this manual available at any time.


**1.2 Target Group**


This manual is for qualified electricians. The tasks described in this manual only can be performed by qualified electricians.


**1.3 Symbols Used**

The following types of safety instructions and general information appear in this document as described below:

	<b>Danger!</b> "Danger" refers to a dangerous situation that, if not avoided, will result in a high level of risk such as serious injury or even death.
--	--


	<b>Warning!</b> "Warning" indicates a dangerous situation, which, if not avoided, may result in serious injury or death.
---	---

	<b>Caution!</b> "Caution" indicates a hazardous situation which, if not avoided, could result in minor or moderate injury.
---	---

	<b>Note!</b> "Note" provides tips that are valuable for the optimal operation of our product.
---	--


### 1.3.1 Important Safety Instructions

**Danger!**




**Danger to life due to high voltages in the inverter!**  
The personnel responsible for the installation, electrical connection, debugging, maintenance and fault handling operation of this product need to be trained, master the correct operation method, have the corresponding electrician qualification and safety operation knowledge.

**Caution!**




When the inverter is working, it is strictly forbidden to touch the shell. The temperature of the shell is high and there is a risk of scalding.

**Caution!**




**Radiation may be harmful to health!**  
Do not stay for a long time and keep at least 20 cm away from the inverter.

**Note!**




**Ground PV system.**  
Finish PV modules and photovoltaic system grounding in accordance with local requirements to achieve optimal protection of systems and personnel.

**Warning!**



Ensure that the input DC voltage is below the inverter limit. Excessive DC voltage and current may cause permanent damage or other losses to the inverter, which is not covered by the warranty.

**Warning!**



Before performing maintenance, cleaning or operation on the circuit connected to the inverter, authorized maintenance personnel must first disconnect the AC and DC power supplies of the inverter.

**Warning!**  
Only operate the inverter when it is technically faultless.

**Warning!**  
Risk of electric shock!

Strictly follow relevant safety specifications for product installation and testing. During installation, operation or maintenance, please read carefully and follow the instructions and precautions on the inverter or user manual. If the operation is incorrect, it may cause personal and property losses. Please keep the user manual properly after use.

This inverter can only use the accessories sold and recommended by our company, otherwise it may cause fire, electric shock or casualties.

Without the authorization of our company, you may not open the inverter cover or replace the inverter parts, otherwise the warranty promise of the inverter will be invalid.


The use and operation of the inverter must be carried out in accordance with the instructions in this manual, otherwise this protection will fail and the warranty of the inverter will also fail. During working, the inverter surface temperature may exceed 60°C, please make sure the inverter cools down before touching, and make sure children can not touch.

All AC power sources must be disconnected from the inverter for at least 5 minutes before any wiring or electrical operation is performed on the inverter to ensure complete isolation of the inverter and avoid electric shock.

Installation position should be away from wet environment and corrosive substances.

Use a multimeter (impedance at least 1 MΩ) to measure the voltage between the UDC and the UDC- to ensure that the inverter port is discharged below the safe voltage before starting operation (35 VDC).

### ➤ Surge protection devices (SPDs) for PV installation

	<p><b>Warning!</b></p> <p>Over-voltage protection with surge arresters should be provided when the PV power system is installed. The grid connected inverter is fitted with SPDs in both PV input side and MAINS side.</p>
---	--

Direct or indirect lightning strikes can cause failures. Surge is the main cause of lightning damage to most devices. Surge voltage may occur at photovoltaic input or AC output, especially in remote mountain areas where long distance cable is supplied.

Please consult professionals before installing SPDs.

The external lightning protection device can reduce the influence of direct lightning strike, and the lightning protection device can release surge current to the earth.

If the building installed with external light protection device is far away from the inverter location, in order to protect the inverter from electrical and mechanical damage, the inverter should also install an external lightning protection equipment.

In order to protect the AC system, the level 2 surge protection equipment should be installed at the AC output, located between the inverter and the grid. Installation requirements must comply with IEC61643-21 standard.

### ➤ Anti-Islanding Effect


The islanding effect means that when the power grid is cut off, the grid-connected power generation system fails to detect the power outage and still supplies power to the power grid. This is very dangerous for the maintenance personnel and the power grid on the transmission line.

The inverter's use active frequency offset method to prevent islanding effect.

### ➤ PE Connection and Leakage Current

- All inverter's incorporate a certified internal Residual Current Monitoring (RCM) in order to protect against possible electrocution and fire hazard in case of a malfunction in the cables or inverter. There are 2 trip thresholds for the RCM as required for certification (IEC 62109-2:2011). The default value for electrocution protection is 30mA, and for slow rising current is 300mA.

- If an external residual current device (RCD) (type A is recommended) is mandatory, the switch must be triggered at a residual current of 300 mA (recommended). RCD of other specifications can also be used according to local standard.

	<p><b>Warning!</b></p> <p>High leakage Current! Earth connection essential before connecting supply.</p>
---	--

- A faulty ground connection can result in equipment failure, personal and death injuries, and electromagnetic interference.
- Ensure correct according to grounding to IEC62109 and conductor diameter according to STANDARD specification.
- Do not connect the grounding end of the equipment in series to prevent multi-point grounding.
- Electrical appliances must be installed in accordance with the wiring rules of each country.

For United Kingdom

- The installation that connects the equipment to the supply terminals shall comply with the requirements of BS 7671.
- Electrical installation of PV system shall comply with requirements of BS 7671 and IEC 60364-7-712.
- All protective devices cannot be changed.
- User shall ensure that equipment is so installed, designed and operated to maintain at all times compliance with the requirements of ESQCR22(1)(a).




### ➤ Battery Safety Instructions

The inverter should pair with high voltage battery, for the specific parameters such as battery type, nominal voltage and nominal capacity etc., please refer to section 3.3. Please refer to the matching battery specification for details.





### 1.3.2 Explanation of Symbols








This section gives an explanation of all the symbols shown on the inverter and on the type label.

- Symbols on the Inverter

Symbols	Explanation
	Operating Display
	Battery status
	An error has occurred, please inform your installer immediately

- Symbols on the Type Label

Symbols	Explanation
	CE mark. The inverter complies with the requirements of the applicable CE guidelines.
	TUV certified.
	RCM remark.
	UKCA mark. The inverter complies with the requirements of the applicable UKCA guidelines.

	Beware of hot surface. The inverter can become hot during operation. Avoid contact during operation.
	Danger of high voltages. Danger to life due to high voltages in the inverter!
	Danger. Risk of electric shock!
	Observe enclosed documentation.
	The inverter can not be disposed together with the household waste. Disposal information can be found in the enclosed documentation.
	Do not operate this inverter until it is isolated from battery, mains and on-site PV generation suppliers.
	Danger to life due to high voltage. There is residual voltage existing in the inverter after powering off, which needs 5 min to discharge. Wait 5 min before you open the upper lid or the DC lid.

### 1.3.3 EC Directives

This chapter describes the requirements of the European low voltage regulations, including safety instructions and system licensing conditions, the user must comply with these regulations when installing, operating, and maintaining the inverter, otherwise it will cause personal injury or death, and the inverter will cause damage.

Please read the manual carefully when operating the inverter. If you do not understand "danger", "warning", "caution" and the description in the manual, please contact the manufacturer or service agent before installing and operating the inverter.

Grid-connected inverter comply with low voltage directive (LVD) 2014/35/EU and Electromagnetic compatibility directive (EMC) 2014/30/EU. Detection of components is based on:  
Standard of 2014/35/EU (LVD)  
EN IEC 62109-1; EN IEC 62109-2  
EN IEC 62477-1

Standard of 2014/30/EU (EMC)  
EN IEC 61000-6-1; EN IEC 61000-6-2;  
EN IEC 61000-6-3; EN IEC 61000-6-4;  
EN IEC 61000-3-2; EN 61000-3-3;  
EN IEC 61000-3-11; EN 61000-3-12;  
EN 55011

For installation in photovoltaic module system, it is necessary to make sure that the whole system complies with the requirements of EC(2014/35/EU, 2014/30/EU, etc.) before starting the module (i.e. to start the operation). The assembly shall be installed in accordance with the statutory wiring rules. Install and configure the system in accordance with safety rules, including the use of specified wiring methods. The installation of the system can only be done by professional assemblers who are familiar with safety requirements and EMC. The assembler shall ensure that the system complies with the relevant national laws.

The individual subassembly of the system shall be interconnected by means of the wiring methods outlined in national/international such as the national electric code (NFPA) No. 70 or VDE regulation 4105.

## 2 Introduction

### 2.1 Basic Features

The inverter is a high-quality inverter that can convert solar energy into alternating current and store energy into batteries. The inverter can be used to optimize self-consumption, stored in batteries for future use or fed into the public grid. The way it works depends on user preferences. It can provide emergency power during power outages.

### 2.2 Electrical Block Diagram of the System

The inverter has two wiring schemes, customers can choose EPS compatible parts Load and EPS compatible with all load use. There are different ways of wiring in different countries, one is to connect N line with PE line, the other is to separate the line from the PE line wiring, see below;

**Diagram A: N line and PE line separate wiring;  
(For most countries)**

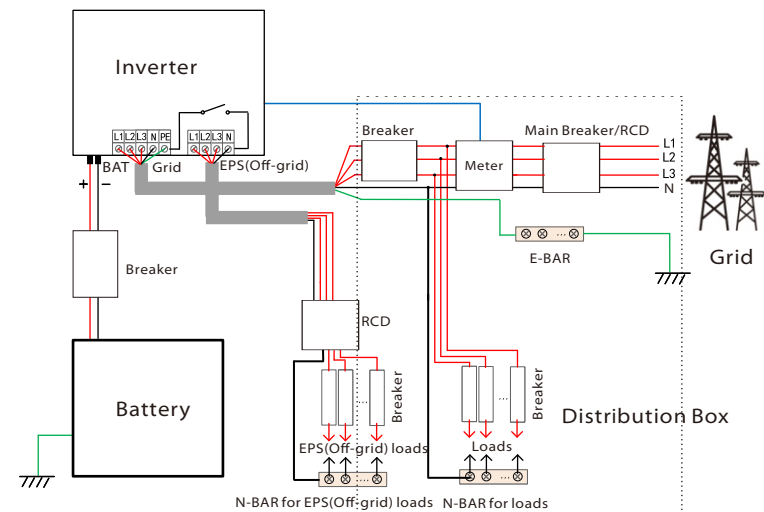


Diagram B: N line and PE line separate wiring;  
(For most countries)

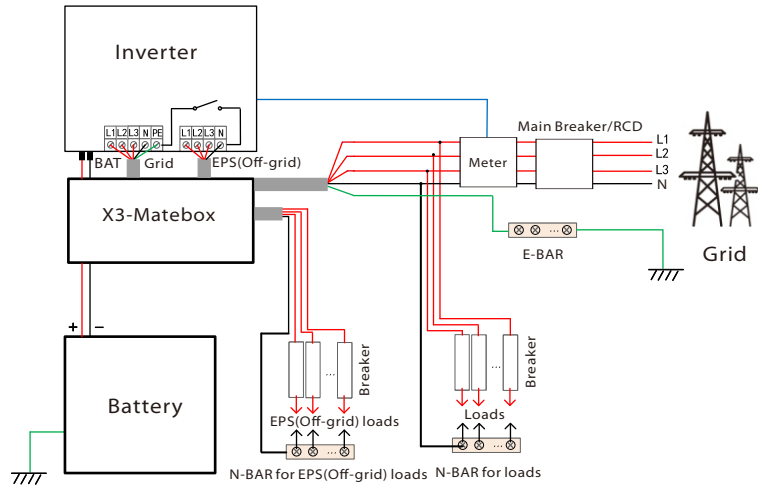


Diagram D: N line and PE line together;  
(Applicable to Australia)

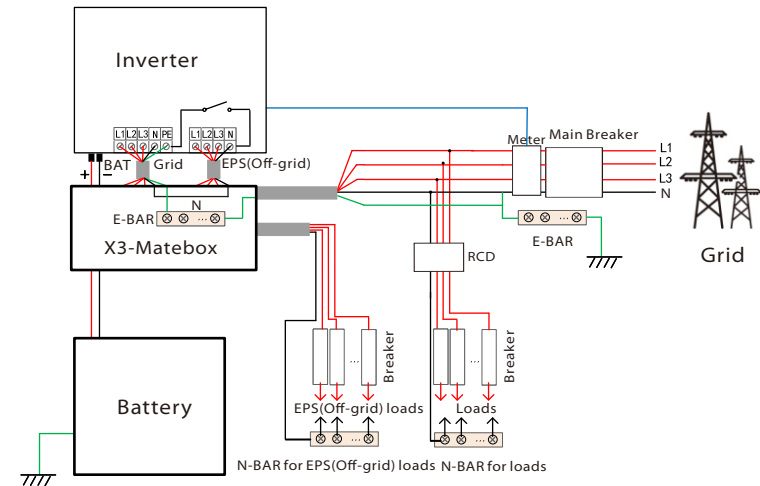
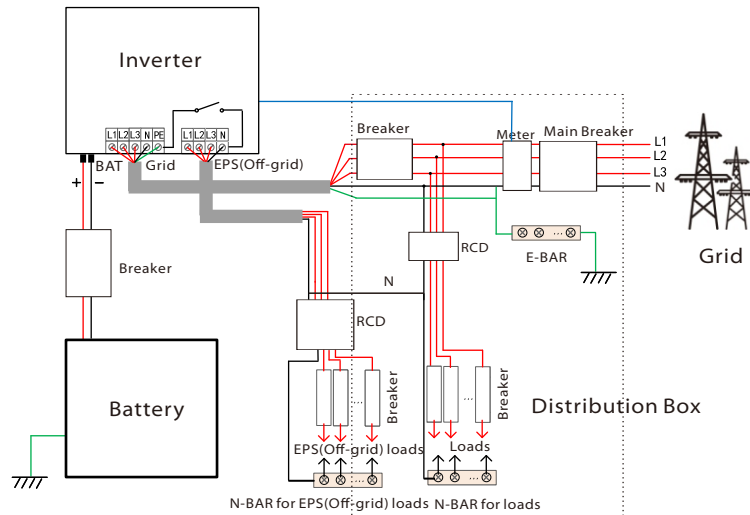


Diagram C: N line and PE line together;  
(Applicable to Australia)



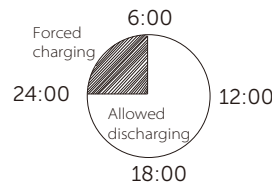
**Note!**

The RCD on the figure represents a leakage protection device with a circuit breaker function.

- When power cuts suddenly, the inverter connects the N line of EPS (Off-grid) load with the ground through relay, providing a fixed zero potential for EPS (Off-grid) load and ensuring the safety of electricity use by users.
- Please control the inverter load and make sure it is "output value" in "within " EPS (Off-grid) mode, otherwise the inverter will stop and alarm overload fault".
- Please confirm with the grid operator whether there are special regulations for grid connection.

### 2.3 Work Modes

The inverter has two configurable working periods: allowed discharging period and forced charging period.



For how to set the two working periods, please refer to page 87.

The default value of allowed discharging period is 00:00~23:59, and the default value of forced charging period is 00:00~00:00 (closed in default). You can configure the two working periods by yourself.

As shown in the example above, the allowed discharging period is 6 am to 24 pm, and the forced charging period is 24 pm to 6 am.

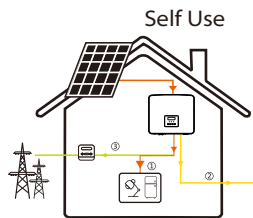
#### • Forced charging period

The priority of forced charging period is higher than all work modes. Under the forced charging period, the inverter will charge the battery first until the battery SOC reaches the value of "charge battery to".

#### • Allowed discharging period

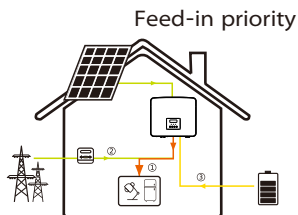
Under the allowed discharging period, the inverter will allow the battery to discharge (but not force the battery to discharge). The following work modes will take effect under the allowed discharging period.

For **on-grid** status, there are five work modes: Self Use, Feed-in Priority, Backup, Manual and Peak Shaving Mode.



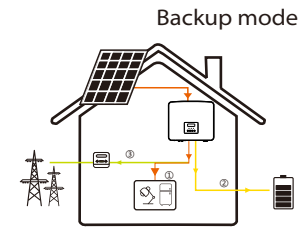
**Self Use**  
The self-use mode is suitable for areas with low feed-in subsidies and high electricity prices. The power of PV will supply the loads first, and surplus power will charge the battery, then the remaining power will feed into the grid.

**Priority: Loads > Battery > Grid**



**Feed-in priority**  
The feed-in priority mode is suitable for areas with high feed-in subsidies, but has feed-in power limitation. The power of PV will supply the loads first, and surplus power will feed into the grid, then the remaining power will charge the battery.

**Priority: Loads > Grid > Battery**



**Backup mode**  
The back-up mode is suitable for areas with frequent power outages. This mode will maintain the battery capacity at relatively high level, to ensure that the emergency loads can be used when the grid is off. Same working logic with "Self-use" mode.

**Priority: Loads > Battery > Grid**

\* For the above three work modes, when the power of PV is insufficient to supply the loads, the battery will supply the loads. If the battery is insufficient, then the grid will supply the loads.

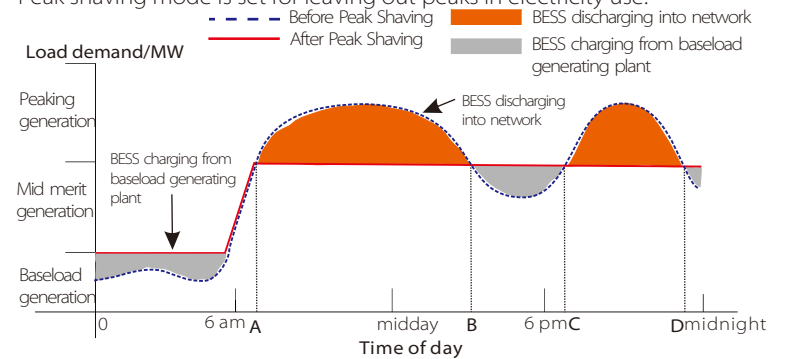
#### Manual

This work mode is for the after-sales team to do after-sales maintenance.

\* For the above three work modes, when the power of PV is insufficient to supply the loads, the battery will supply the loads. If the battery is insufficient, then the grid will supply the loads.

#### Peak Shaving Mode

Peak shaving mode is set for leaving out peaks in electricity use.



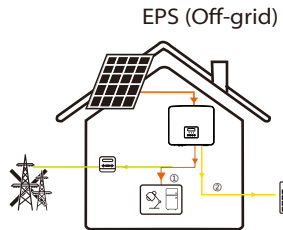
The D-A period is the battery charging period during which discharging is not allowed and the PV will charge the battery first for peak shaving. The "ChargeFromGrid" setting determines whether or not to charge from the grid. When "ChargeFromGrid" is set to "Disable", the battery cannot charge from the grid; when "ChargeFromGrid" is set to "Enable" and the actual battery SOC is less than "Max\_SOC", the battery will charge from the grid at no more than "ChargePowerLimits" power.

In the A-B and C-D periods, if the power of loads does not exceed "PeakLimits", the PV will charge the battery first. When the battery is fully charged, the PV will charge loads, and the surplus power will feed into the grid. If the power of loads exceeds "PeakLimits", the PV and battery will discharge energy for loads and thus reduce the amount of energy purchased from the grid.

In the B-C period, the battery does not discharge. The PV will charge the battery to the "Reserved SOC" first and then supply power for loads, with the surplus power feeding into the grid. Charging the battery first in these periods is storing energy for the peak shaving.

\* If there are requirements for zero output from the inverter, the PV output will be limited.

For **off-grid** status, there is only one work mode: EPS (Off-grid).



**EPS (Off-grid)** In case of power failure, the system will supply EPS loads through PV and battery. (The battery must be installed, and EPS loads shall not exceed battery's max. output power.)  
The power of PV will charge the loads first, and surplus power will charge the battery.

**Priority: Loads > Battery**

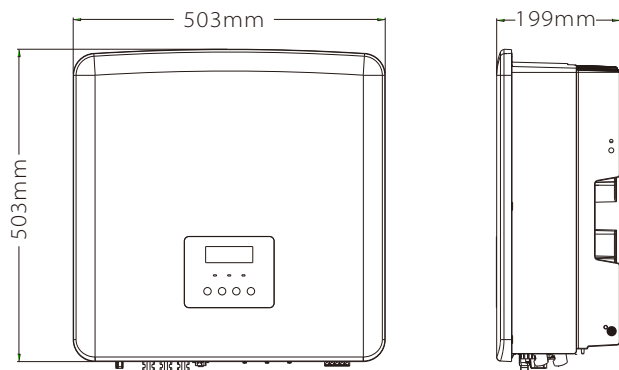
Note:

The battery will stop discharging when SOC=min SOC. But due to battery self consumption, sometimes SOC may < min SOC.

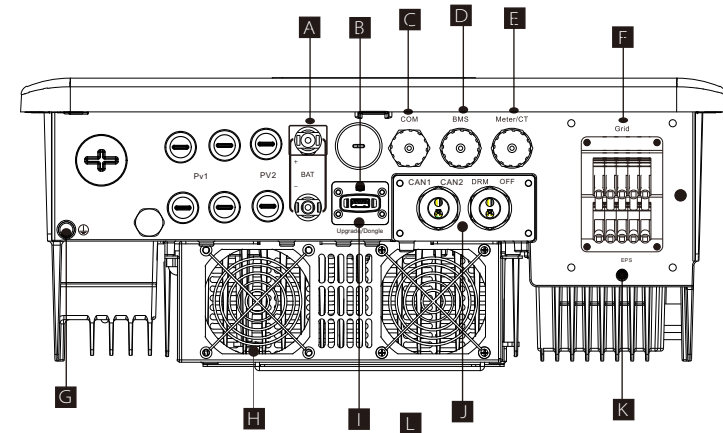
For on-grid status, if the battery SOC ≤ (min SOC-5%), the inverter will take utility energy to charge battery SOC back to (min SOC+1%).

For off-grid status, if the battery SOC ≤ min SOC, the inverter will be unable to enter EPS mode (the battery will be unable to discharge unless SOC is back to 31%).

## 2.4 Dimension



## 2.5 Terminals of Inverter



Object	Description
A	Battery connection port
B	USB port for upgrading
C	COM port
D	Battery communication
E	Meter/CT Port
F	Grid connection port
G	Ground connection port
H	Fans (only for 12.0kW and 15.0kW)
I	External monitoring connection port
J	CAN1 and CAN2 are for parallel communication / OFF is for external shutdown/ DRM Port (only for Australia)
K	EPS(Off-grid) Output(main load connection port)



**Warning!**

Qualified electrician required for the installation.



### 3 Technical Data

#### 3.1 AC Output/Input

Model	X3-Fit-6.0-W X3-Fit-6.0-M	X3-Fit-8.0-W X3-Fit-8.0-M	X3-Fit-10.0-W X3-Fit-10.0K-W X3-Fit-10.0-M	X3-Fit-15.0-W X3-Fit-15.0-M
<b>AC Output</b>				
Rated Output Apparent Power [VA]	6000	8000	10000 (10.0K-W 9999)	15000(PEA 14000)
Max. Output Apparent power [VA]	6600	8800	11000 (10.0K-W 9999)	15000
Nominal AC voltage [a.c. V]	415/240; 400/230; 380/220			
Nominal AC frequency [Hz]	50/60			
Max. Output Continuous current [a.c. A]	9.7	12.9	16.1	24.1
Current (inrush)(at 50 μs) [a.c. A]	30			
Rated Output Current [a.c. A]	8.7	11.6	14.5	21.8
Power Factor Range	1 (0.8 leading...0.8 lagging)			
Total harmonic distortion(THDi)	< 3%			
Maximum output fault current (at 5ms) [a.c. A]	68			
Maximum output overcurrent protection [a.c. A]	68			
<b>AC Input</b>				
Rated AC power [W]	12000	16000	20000	20000
Nominal AC voltage(range) [a.c. V]	415/240; 400/230; 380/220			
Nominal AC frequency [Hz]	50/60			
Max. AC current [a.c. A]	19.3	25.8	32.0	32.0

#### 3.2 Battery

Model	X3-Fit-6.0-W X3-Fit-6.0-M	X3-Fit-8.0-W X3-Fit-8.0-M	X3-Fit-10.0-W X3-Fit-10.0K-W X3-Fit-10.0-M	X3-Fit-15.0-W X3-Fit-15.0-M
Battery type	Lithium batteries			
Battery voltage range [d.c. V]	180-800			
Max. continuous charge/discharge current [d.c. A]	30A			
Communication interface	CAN/RS485			
Reverse connection protection	Yes			

#### 3.3 Efficiency, Safety and Protection

Model	X3-Fit-6.0-W X3-Fit-6.0-M	X3-Fit-8.0-W X3-Fit-8.0-M	X3-Fit-10.0-W X3-Fit-10.0K-W X3-Fit-10.0-M	X3-Fit-15.0-W X3-Fit-15.0-M
Max. battery discharge efficiency (BAT to AC)(@ full load)	97.5%	97.5%	97.5%	97.5%
<b>Security &amp; Protection</b>				
Safety	IEC/EN 62477-1			
Grid Monitoring	VDE-AR-N 4105, CEI 0-16, CEI 0-21, EN 50549, NRS 097-2-1, MEA			
AC SPD Protection	Integrated			
Over/under voltage protection	YES			
Grid protection	YES			
Back feed current monitoring	YES			
Residual current detection	YES			
Active anti-islanding method	Frequency Shift			
Over load protection	YES			
Over heat protection	YES			
Array insulation resistance detection	YES			

#### 3.4 EPS (Off-grid) Output

Model	X3-Fit-6.0-W X3-Fit-6.0-M	X3-Fit-8.0-W X3-Fit-8.0-M	X3-Fit-10.0-W X3-Fit-10.0K-W X3-Fit-10.0-M	X3-Fit-15.0-W X3-Fit-15.0-M
EPS(Off-grid) rated power [VA]	6000	8000	10000	15000
EPS(Off-grid) rated voltage [a.c. V]	400V/230VAC			
Frequency [ Hz]	50/60			
EPS(Off-grid) rated current [a.c. A]	8.7	11.6	14.5	21.8
EPS(Off-grid) Peak Power [VA]	12000, 10s	18000, 10s	18000, 10s	22500, 10s
Switching time [s]	<10ms			
Total harmonic distortion (THDv)	< 3 %			

### 3.5 Generic Data

Model	X3-Fit-6.0-W X3-Fit-6.0-M	X3-Fit-8.0-W X3-Fit-8.0-M	X3-Fit-10.0-W X3-Fit-10.0K-W X3-Fit-10.0-M	X3-Fit-15.0-W X3-Fit-15.0-M
Dimensions (W/H/D)[mm]	503*503*199			
Dimensions of Packing (W/H/D)[mm]	560*625*322			
Net weight [kg]	30	30	30	30
Gross weight * [kg]	34	34	34	34
Heat dissipation treatment	Natural Cooling			Smart Cooling
Noise emission(typical) [dB]	<40			<45
Storage temperature range [°C]	-40 to +70			
Operating Ambient Temperature Range[°C]	-35 to +60 (derating at 45)			
Humidity [%]	0% to 100%			
Altitude [m]	<3000			
Ingress Protection	IP65			
Protective Class	I			
Cold standby consumption	<5W			
Oversoltage category	III(MAINS), II(PV, Battery)			
Pollution Degree	III			
Installation mode	Wall mounted			
Inverter Topology	Non-isolated			
Communication interface	Meter, external control RS485, Dongle series, DRM, USB			

\* The specific gross weight is subject to the actual situation of the whole machine.

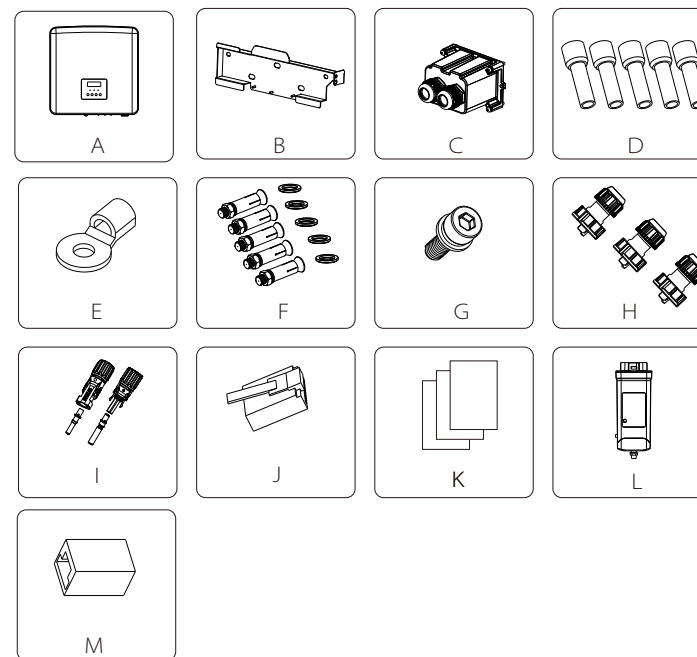
## 4 Installation

### 4.1 Check for Transport Damage

Ensure that the inverter is in good condition via transportation. If there is any visible damage such as cracks, please contact the dealer immediately.

### 4.2 Packing List

Open the package and check the materials and accessories according to the following list.



Number	Quantity	Description
A	1	Inverter.
B	1	Bracket
C	1	AC protective cover
D	12	6 mm <sup>2</sup> ferrules
E	1	OT terminal
F	5	(Expansion tubes, expansion bolts, screws, washers)
G	1	M5 inner hexagon screw
H	3	Waterproof connectors with RJ45
I	2	Positive & negative battery connectors & pin contacts
J*	6	RJ 45 terminals
K		Documents
L	1	WiFi Dongle (optional)
M	1	RJ45 connector

Note: \* J \* The inverter in Australia needs to be connected to DRM, which is 1 more communication line adapter than that in other countries.

For the optional accessories, please be subject to the actual delivery.

### 4.3 Installation Precautions

The protection level of the inverter is IP 65, so that the inverter can be installed outdoors.

Check the installation environment and pay attention to the following conditions when installing:

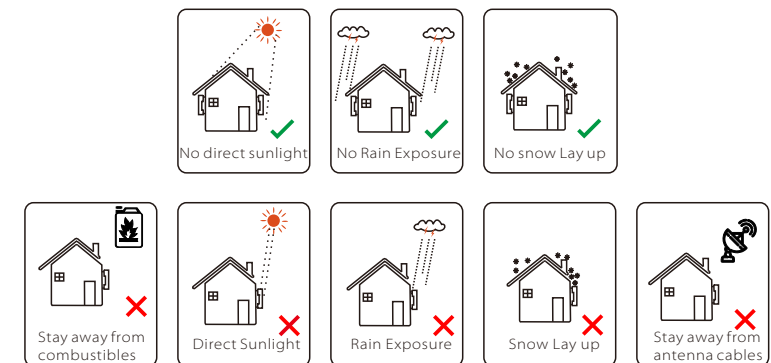
- Do not expose to strong light.
- Do not touch flammable building materials.
- Do not approach flammable and explosive gases or liquids (e.g. where chemicals are stored).
- Do not touch cold air directly.
- Do not approach TV antenna or cable.
- Do not place in areas above 3000 meters above sea level.
- Do not install in precipitation or high humidity, which may cause corrosion or damage Internal devices.
- Keep the system out of reach of children.

If the inverter is installed in a narrow area, be sure to reserve appropriate space for heat dissipation.

The ambient temperature of the installation site is -35°C~60°C.

The maximum angle range of wall tilt ±5°.








Avoid direct sunlight, rain and snow weather.



### 4.4 Tool preparation

Tool equipment				
Type	Name	Image	Name	Image
Machine Installation Tools	Hammer drill	Bit $\Phi 8$ 	Multimeter	DC Voltage Range $\geq 1100$ VDC 
	Torque screwdriver	Crosshead M5 	Socket wrench set (Hexagon)	
	OT terminals press clamp	0.5mm <sup>2</sup> ~6mm <sup>2</sup> 	Diagonal pliers	
	Utility knife		Multifunction terminal crimping tool (RJ45)	
	wire stripper		Marker	
	Rubber hammer		Tape measure	
	Crimping Tool		Hexagon keys	
	Euro terminal crimping tool		Spirit level	
Individual Protection Tools	Dustproof Cover		Protective glasses	

Tool equipment				
Type	Name	Image	Name	Image
Individual Protection Tool	Safety gloves		Safety shoes	

Type	Name	Image	Requirement
Equipment Preparation	Breaker		Grid port and EPS(Off-grid) port wiring section (4.5.2)
Cable Preparation	PV end wire		Dedicated PV wire, line number #4 mm <sup>2</sup> withstand voltage 1000V, temperature resistance 105°C fire resistance grade VW-1
	EPS (Off-grid) end wire		Five-core cable
	Grid end wire		Five-core cable
	Communication lines		Twisted pair with shield
	Battery Cable		Conventional wire
	PE Cable		Conventional wire

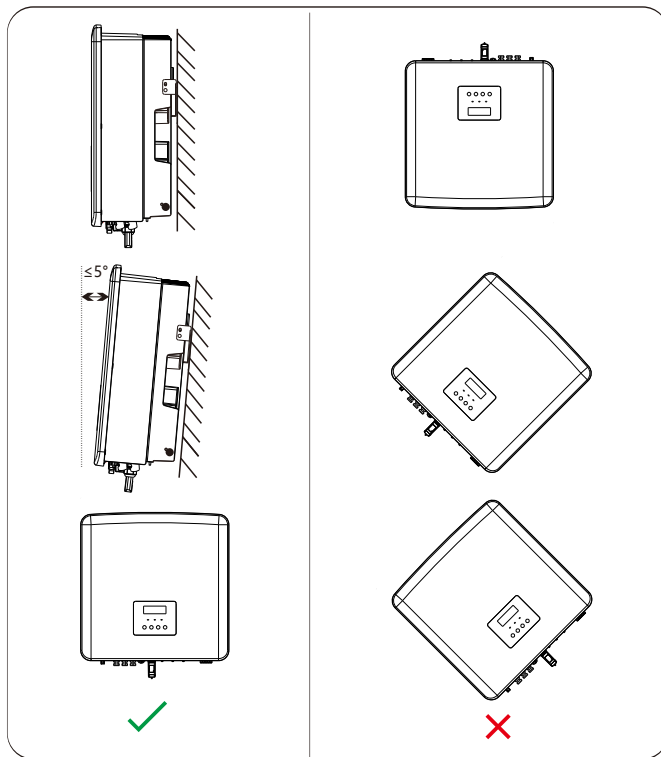
### 4.5 Installation Site Conditions

#### 4.5.1 Installation Carrier Requirements

Do not install the inverter near flammable materials.  
 Please install the inverter on a solid object that can withstand the weight requirements of the inverter and energy storage system.  
 Please be careful not to install the inverter in the plasterboard wall or similar to the residential places with poor sound insulation, so as not to work with noise and interfere with the residents' life in the morning.

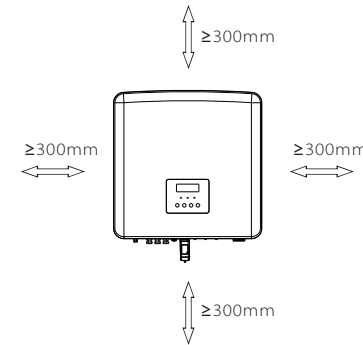
#### 4.5.2 Installation Requirements

Install the inverter at a maximum back tilt of 5 degrees, the inverter can not be tilted forward, inverted, excessive back tilted or side tilted.



### 4.5.3 Installation Space Requirements

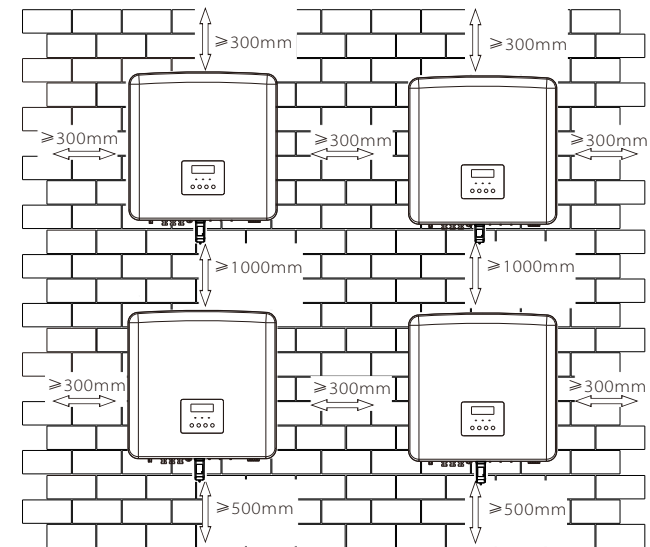
Reserve enough space when installing inverter (at least 300mm) for heat dissipation.



Reserved space dimensions of installation

Position	Min Distance
Left	300mm
Right	300mm
Up	300mm
Down	500mm

For multi-inverter installation scenarios, the inline installation method is recommended; when the space is insufficient, the recommended method of installation in the form of "products"; it is not recommended to install multiple inverters in stacks. If you choose stack installation, please refer to the installation separation distance below.



### 4.6 Mounting

#### > Preparation

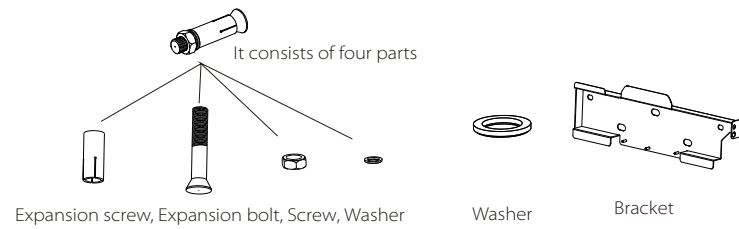
Please prepare the following tools before installation.



Installation tools: screwdriver, wrench,  $\Phi 8$  drill, rubber hammer, socket wrench set and Hexagon keys.

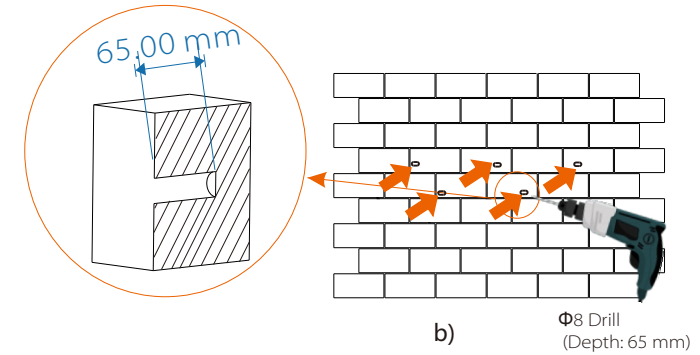
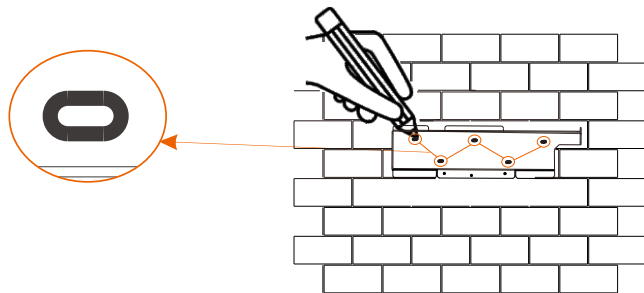
#### > Step 1: Fix the wall bracket to the wall

First find the expansion screw and the bracket in the accessory bag, as shown below:



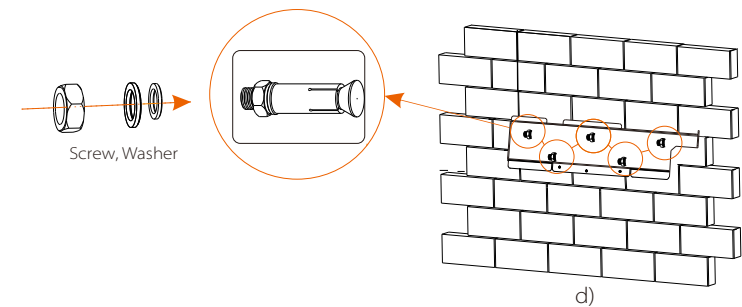
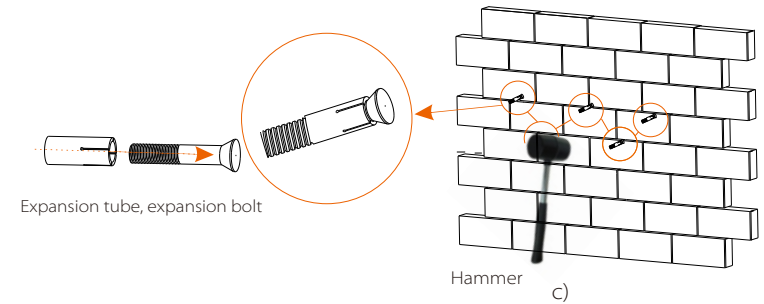
a) Use a spirit level and a marker to mark drilling holes of the bracket on the wall.

b) Drill holes at marked spots with depth of 65 mm.



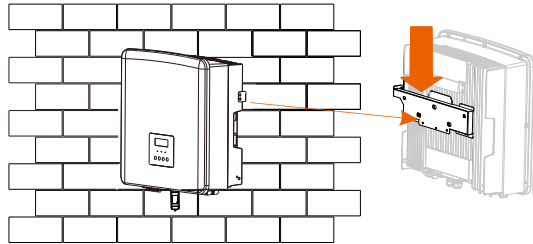
#### > Step 2: hang the inverter on the bracket

c) Insert an expansion bolt into an expansion tube and then insert them into the hole, use rubber hammer to knock them into the wall;  
d) Hang the bracket on the expansion bolts on the wall, put different types of washers into the bolts and then use the inner hexagonal wrench to screw the screw until a "bang" is heard.

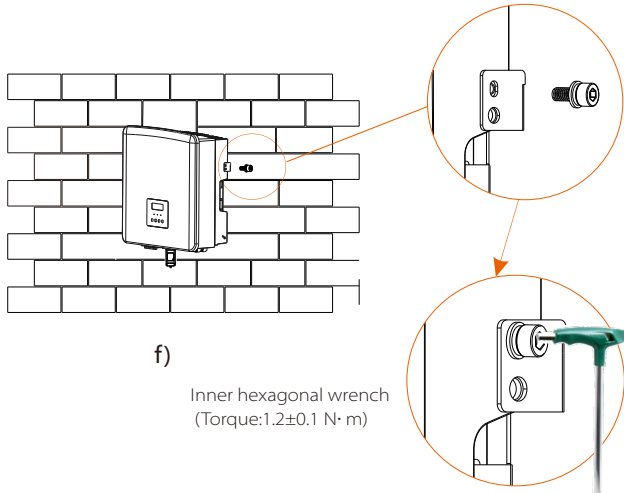


➤ Step 3: Tighten the inverter and bracket

- e) Hang the buckle on the inverter to the corresponding position of the backplane;
- f) Use the inner hexagonal wrench to tighten the inner hexagonal screw on the right side of the inverter.



e)



f)

Inner hexagonal wrench  
(Torque:1.2±0.1 N·m)

## 5 Electrical Connections

### 5.1 Grid Port and EPS(Off-grid) Output Connection

The inverter are three-phase inverter. Suitable for rated voltage 380/400/415V, frequency 50/60Hz. Other technical requests should comply with the requirement of the local public grid.

➤ Grid port connection

Grid Cable and Micro-breaker recommended

Model	X3-Fit-6.0-W X3-Fit-6.0-M	X3-Fit-8.0-W X3-Fit-8.0-M	X3-Fit-10.0-W X3-Fit-10.0K-W X3-Fit-10.0-M	X3-Fit-15.0-W X3-Fit-15.0-M
Cable (copper)	4~6mm <sup>2</sup>	4~6mm <sup>2</sup>	5~6mm <sup>2</sup>	5~6mm <sup>2</sup>
Micro-Breaker	20A	32A	40A	40A

EPS(Off-grid) Cable and Micro-breaker recommended

Model	X3-Fit-6.0-W X3-Fit-6.0-M	X3-Fit-8.0-W X3-Fit-8.0-M	X3-Fit-10.0-W X3-Fit-10.0K-W X3-Fit-10.0-M	X3-Fit-15.0-W X3-Fit-15.0-M
Cable (copper)	4~6mm <sup>2</sup>	4~6mm <sup>2</sup>	4~6mm <sup>2</sup>	4~6mm <sup>2</sup>
Micro-Breaker	16A	20A	25A	32A

The load should not be directly connected to the inverter.

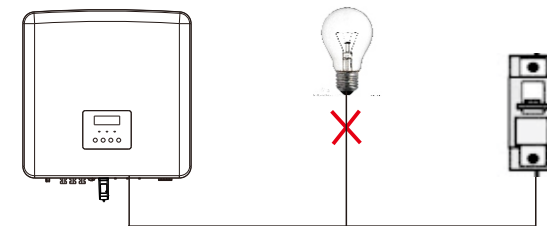


Figure: Wrong connection of load and inverter

### 5.2 EPS(Off-grid) Block Diagram

The inverter has an EPS (Off-grid) function. When the grid is connected, the inverter outputs go through the Grid port, and when the grid is disconnected, the inverter outputs go through the EPS (Off-grid) port. The EPS (Off-grid) function can be connected to part of the load, Please refer to the following diagram for the wiring. If you want to save installation time, you will need an accessory. If you need a solution, please contact our sales staff.

#### ➤ EPS (Off-grid) wiring diagram

For to different local wiring rules, please refer to the diagram below Please select the appropriate wiring method according to local wiring rules.

Diagram A: N line and PE line separate wiring;  
(For most countries)

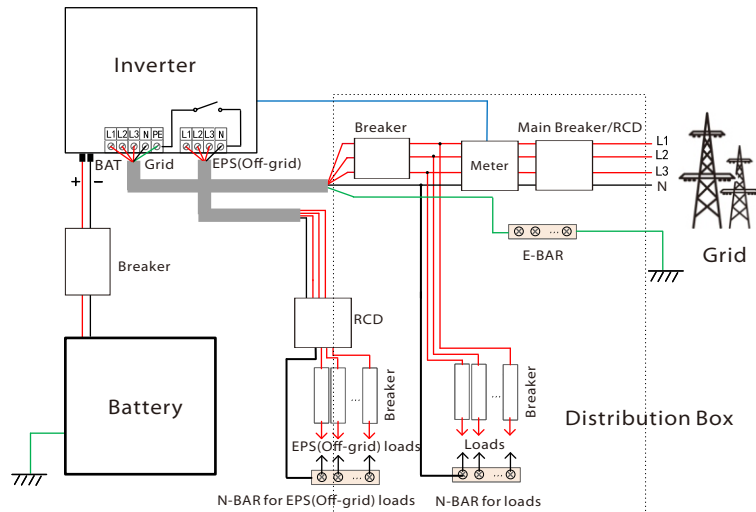


Diagram B: N line and PE line separate wiring;  
(For most countries)

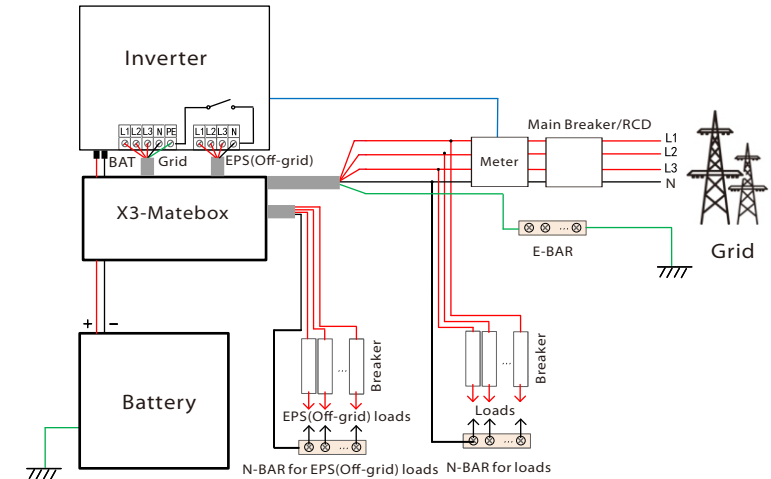


Diagram C: N line and PE line together;  
(Applicable to Australia)

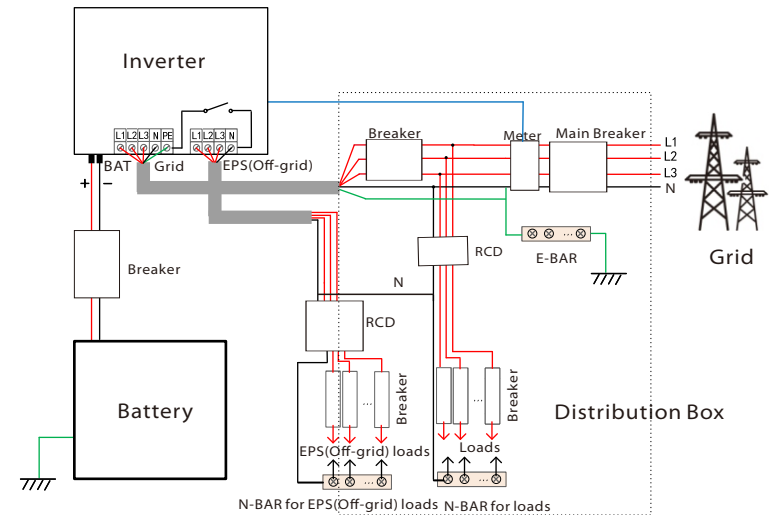
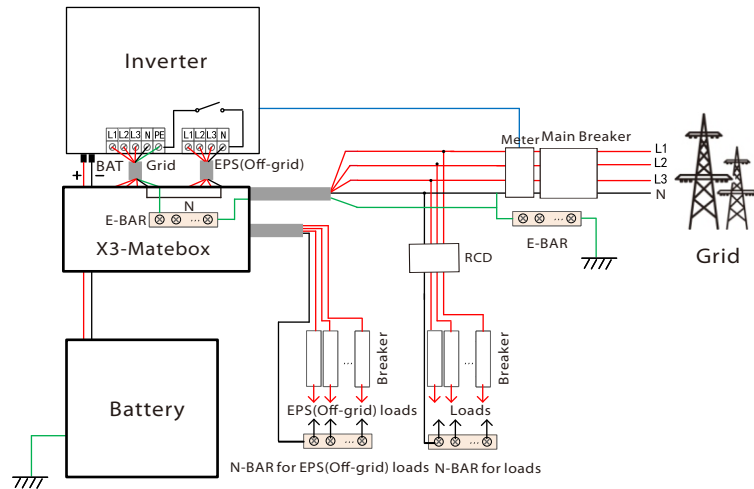





Diagram D: N line and PE line together, all load connection EPS (Off-grid) scheme;(Applicable to Australia)




X3-Matebox is a convenient wiring accessory. Please refer to X3-Matebox for details. If you need to purchase X3-Matebox, please contact us.

 The RCD on the figure represents a leakage protection device with a circuit breaker function. To use X3-Matebox's **Diagram B** and **Diagram D**, you need to set "X3-Matebox" to "Enable" in "Settings"; The Australian customer must shorten the N lines of the Grid and the EPS(Off-grid) in the X3-Matebox. If your local wiring method does not follow the above operation guide, especially the neutral wire, ground wire, RCD wire, please contact our company before operation.

➤ EPS (Off-grid) load requirements

**Warning!**




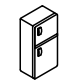
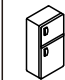
Ensure that the EPS (Off-grid) load rated power is within the EPS (Off-grid) rated output power range, otherwise, the inverter will report an "overload" warning.

 When "overload" occurs, adjust the load power to make sure it is within the EPS (Off-grid) rated output power range, and the inverter will automatically return to normal.

For non-linear loads, ensure that the inrush current power is within the EPS (Off-grid) rated output power range. When the configuration current is less than the maximum DC input current, the capacity and voltage of lithium and lead acid will decrease linearly.

The following table shows some common loads for your reference.

Note: Please check with the manufacturer for high-power inductive loads.

Content	Power		Common equipment	Instance		
	Start	Rated		Equipment	Start	Rated
Resistive load	X 1	X 1	 Incandescent lamp	 100W Incandescent lamp	100VA (W)	100VA (W)
Inductive load	X 3~5	X 2	 Fan  Fridge	 150W Fridge	450-750VA (W)	300VA (W)

Note: The EPS load of the inverter does not support a half-wave load, and the half-wave load cannot be used here.

### ➤ Grid and EPS (Off-grid) connection steps

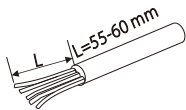
#### • Connection requirements

Note: Check the grid voltage and compare the voltage range (see technical data).

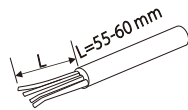
Disconnect the circuit board from all power sources to prevent electric shock.

The Grid and the EPS (Off-grid) ports of the inverter have been connected, for specific installation details, please refer to the X3-Matebox Quick Installation Guide. And the inverter needs to be wired according to the following steps.

**Step 1.** Prepare a Grid cable (five-core wire) and an EPS (Off-grid) cable (four-core wire), and then find the ferrules and AC protective cover in the accessory bag.



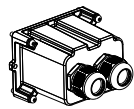
6 mm<sup>2</sup> Grid (Five-Core Cable)



6 mm<sup>2</sup> EPS (Off-grid)(Four-Core Cable)

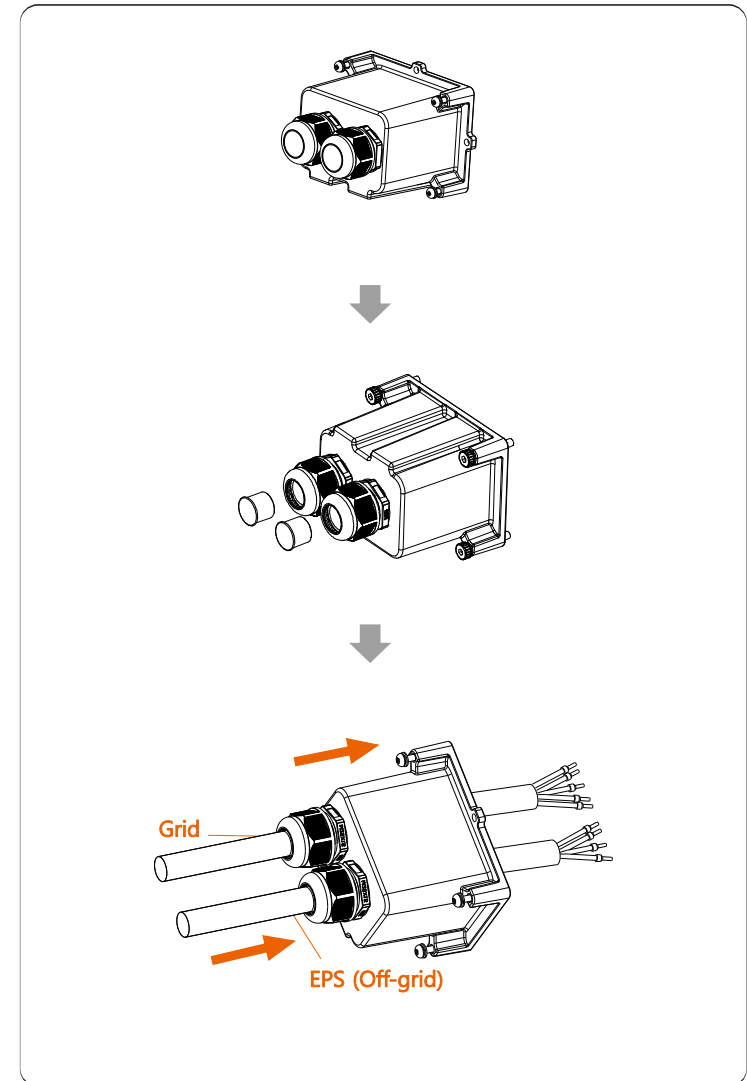


6 mm<sup>2</sup> ferrules\*10

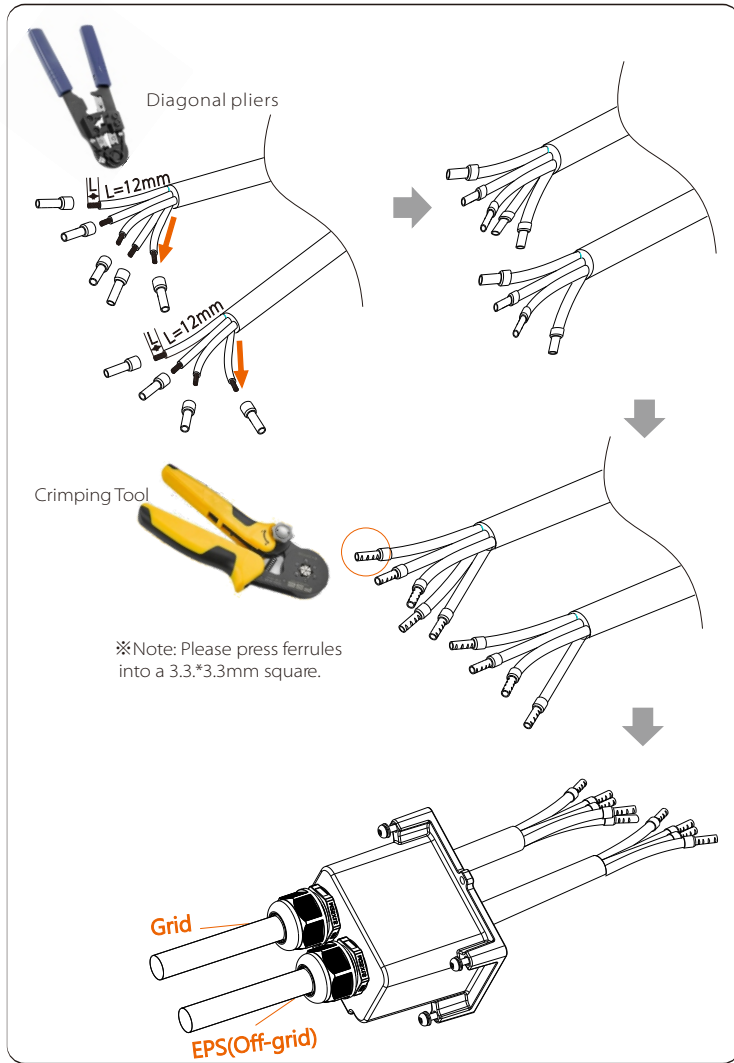


AC protective cover

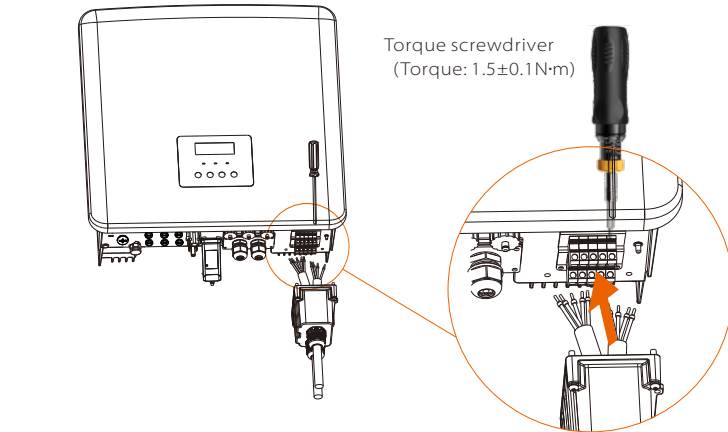
**Step 2.** First remove the waterproof housing plug, and then the Grid and EPS (Off-grid) cables through the waterproof housing corresponding to the Grid and EPS (Off-grid) ports.



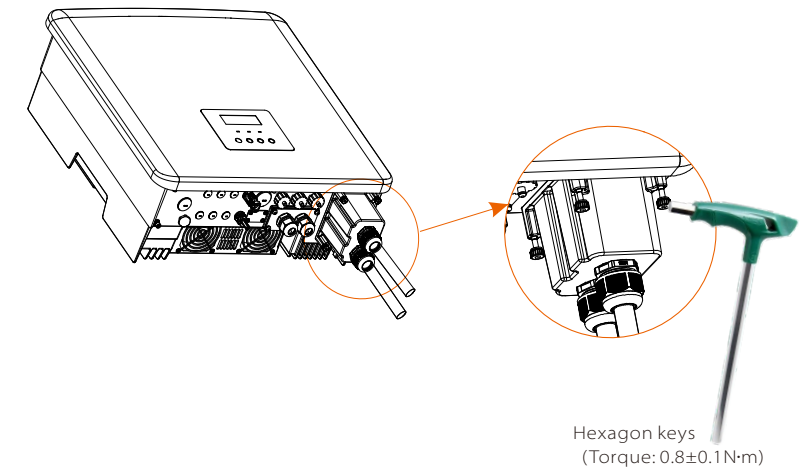
**Step 3.** Remove the 12mm insulation layer at the end of the wire. Insert ferrules respectively, and make sure that the stripped ends are inserted into ferrules, and finally use crimping pliers to press tightly.



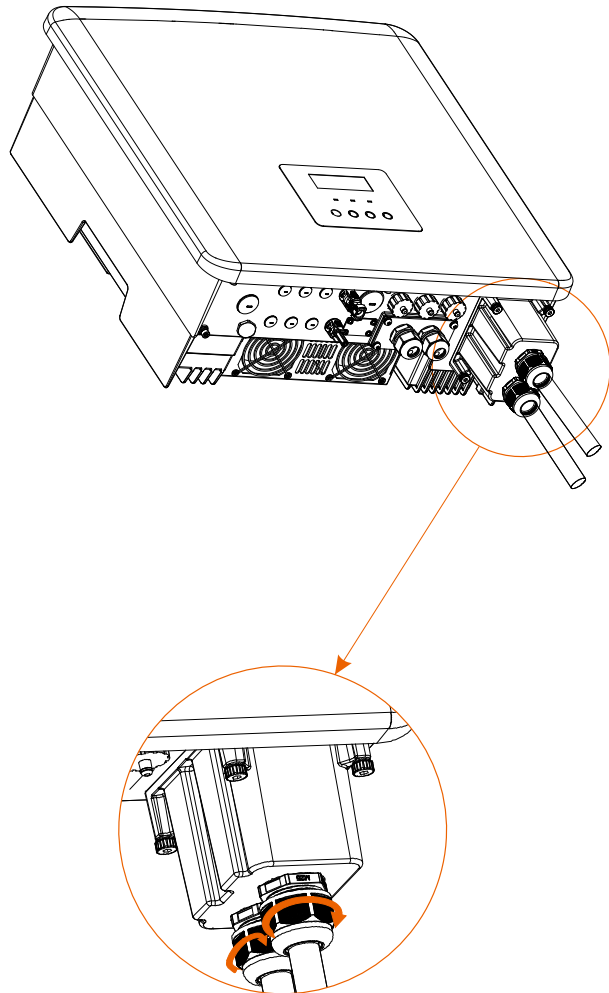
**Step 4.** Find the location of the AC interface on the inverter, insert the crimped terminals into the UW10 terminals L1, L2,L3,N, and PE according to the wire sequence, and use a flat-blade screwdriver to tighten the screws. (Torque: 1.5±0.1N·m)



**Step 5.** Install the AC protective cover, and tighten the screws on the four sides of the cover with an Hexagon keys.



Step 6. Tighten the waterproof fastening head.



### 5.3 Battery Connection

#### ➤ Connection requirements

The inverter charge and discharge system can be equipped with high voltage lithium battery .

Please note that the maximum voltage of the battery should not exceed 650 V, battery communication should be compatible with the inverter.

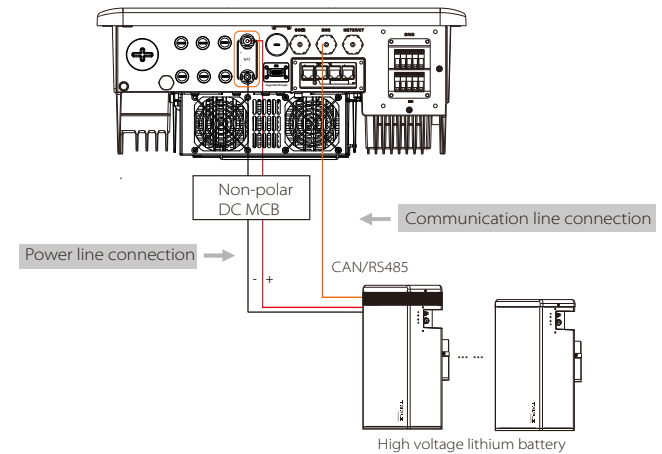
#### ➤ Battery Breaker

Before connecting the battery, a non-polar DC MCB must be installed to ensure safety.

Before maintenance, the inverter need to be safely disconnected.

Model	X3-Fit-60-W X3-Fit-60-M	X3-Fit-80-W X3-Fit-80-M	X3-Fit-100-W X3-Fit-100K-W X3-Fit-100-M	X3-Fit-150-W X3-Fit-150-M
Voltage	Nominal voltage of DC breaker should be larger than maximum voltage of battery.			
Current[A]	32A			

#### ➤ Battery connection diagram



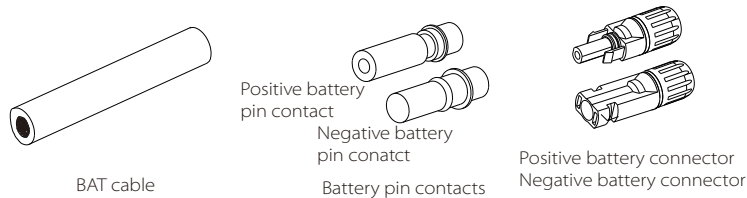
	Battery Control	Battery Modules
Battery & Quantity	T-BAT 5.8 (1 pc)	HV11550 (1-3 pcs)
Battery & Quantity	MC0600 (1 pc)	HV10230 (2-4 pcs)
Battery & Quantity	TBMS-MCR0800 (1 pc)	TP-HR25 (4~13 pcs)*
Battery & Quantity	TBMS-MCR0800 (1 pc)	TP-HR36 (4~13 pcs)*
Battery & Quantity	TBMS-MCS0800 (1 pc)	TP-HS25 (4~13 pcs)*
Battery & Quantity	TBMS-MCS0800 (1 pc)	TP-HS36 (4~13 pcs)*

Note:  
HV11550 battery modules have V1 and V2 versions, V1 and V2 with the same number of inverters, the specific collocation can refer to the relevant part of the battery manual.

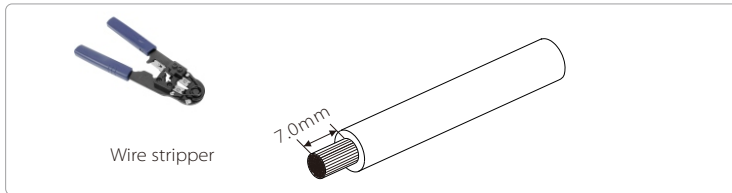
➤ **Battery connection steps**

Battery port connection line of the inverter is on the X3-Matebox, for specific installation details, please refer to the X3-Matebox Quick Installation Guide. It is necessary to wire the inverter according to the following steps.

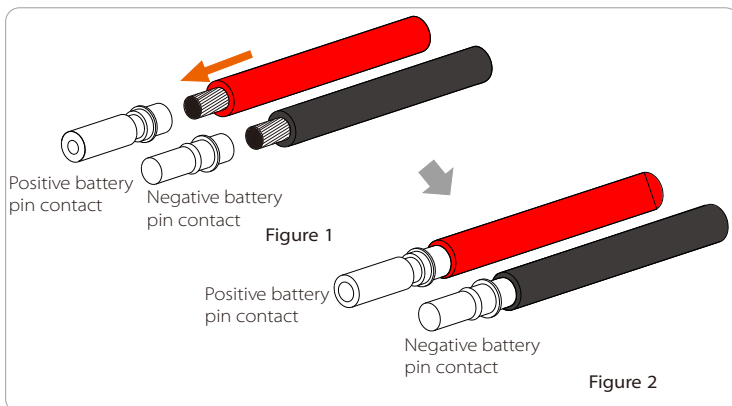
**Step 1.** Turn off the DC switch, connect the BAT module, prepare a 6 mm<sup>2</sup> BAT cable, and find a positive pin contact and a negative pin contact in the package.



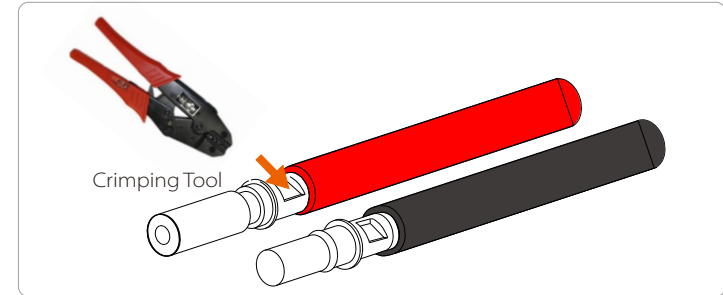
**Step 2.** Use a wire stripper to strip the 7mm insulation layer of the wire end.



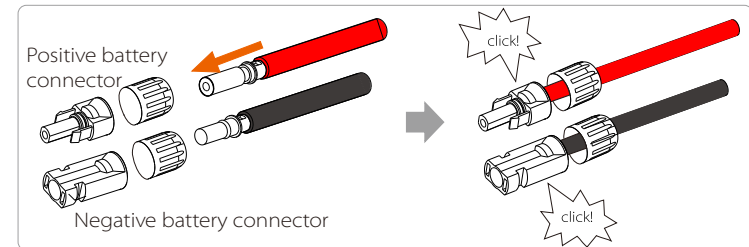
**Step 3.** Tighten the cable with the insulation layer stripped and insert it into battery pin contacts (see Figure 1), make sure all wires are well connected (see Figure 2).



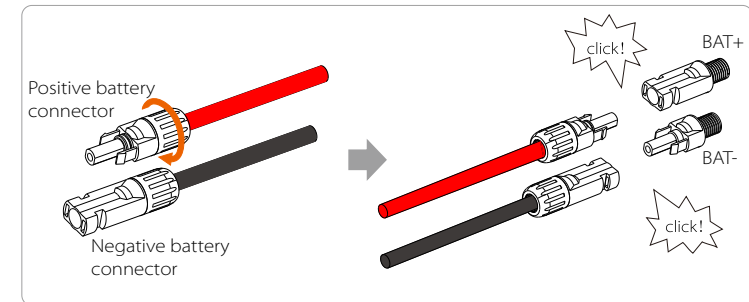
**Step 4.** Tighten the BAT pin needle and the wiring harness to make the connection tight without looseness.



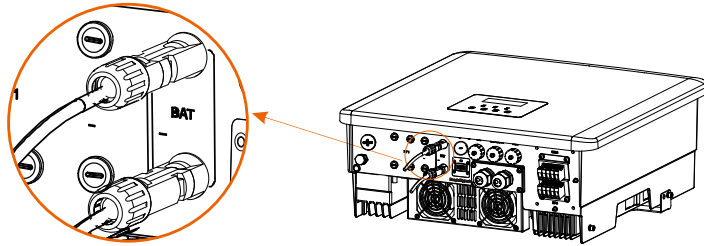
**Step 5.** The battery connectors are divided into 2 parts - the plug and the fastening head. Insert the cable through the fastening head and the opposite plug. Note that the red and black lines correspond to different of plugs. Finally, force the cable pair into the plug, will a "click" sound, which indicates that the connection is complete.



**Step 6.** Tighten the fastening head and into insert the corresponding positive and negative (BAT-/BAT+) ports of the inverter.



**Step 7.** Insert the battery power lines into the corresponding BAT port (+), (-) of the inverter.

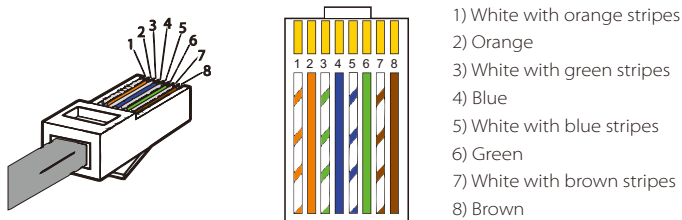


Note: BAT port, not PV port!  
 Note: The positive and negative wires of the battery are not allowed to be reversed!

➤ **Communication connection**

BMS port definition

The communication interface between the inverter and the battery uses the waterproof connector with RJ 45.



1	2	3	4	5	6	7	8
X	X	X	BMS_CANH	BMS_CANL	X	BMS_485A	BMS_485B

**Note!**  
 After the BMS communication between the battery and the inverter is finished, the battery will work normally.

**5.4 Communication Connection**

**5.4.1 Introduction to DRM communication (AS4777 regulatory requirements)**

DRM requirements:

Mode	Requirement
DRM0	Operation disconnect device
DRM1	Do not consume power
DRM2	Do not consume more than 50% of rated power
DRM3	Do not consume more than 75% of rated power AND Source reactive power if capable
DRM4	Increase power consumption (subject to constraints from other active DRMs)
DRM5	Do not generate power
DRM6	Do not generate more than 50% of rated power
DRM7	Do not generate more than 75% of rated power AND Sink reactive power if capable
DRM8	Increase power generation (subject to constraints from other active DRMs)

1	2	3	4	5	6	7	8
DRM1/5	DRM2/6	DRM3/7	DRM4/8	+3.3V	DRM0	GND	GND

**Note!**

Currently only PIN6 (DRM0) and PIN1 (DRM1/5) are functional, other PIN functions are under development.

5.4.2 Introduction to meter Communication

**The inverters can only work with an electric meter** to monitor household electricity usage. The electricity meter can transmit the relevant electricity data to the inverter or platform, which is convenient for users to read at anytime.

**Users can choose to use electric meters only.**

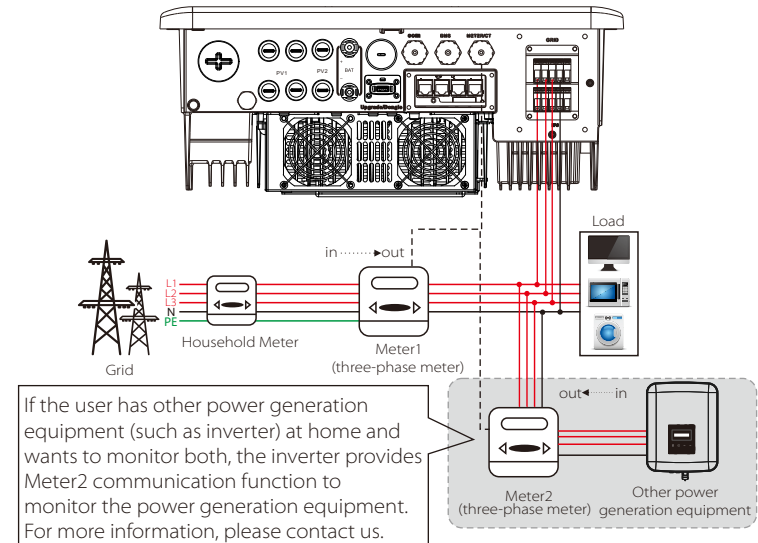
Please note that the meter brand required by our company must be used.

**Note!**  
 The meter must be connected to the inverter, otherwise the inverter will shut down and alarm "meter failure"alarm. Smart meters must be authorized by us, third party or other companies, Unauthorized meter may be incompatible with the inverter.

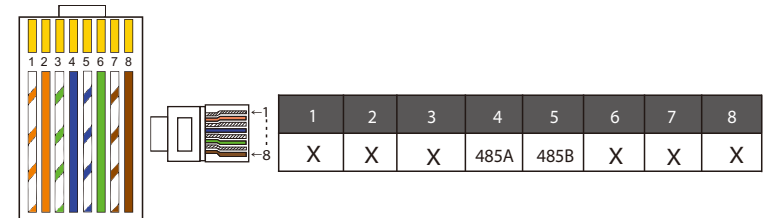
Our company will not be responsible for the impact caused by the use of other appliances.

**Note: Only meters can be used when the inverters work.**

➤ Electric meter connection diagram



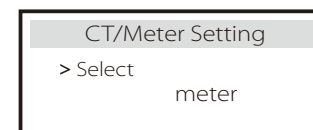
Note: If you want to connect the meter, please ground the GND terminal of the Meter1.



**Note!**  
 Only meter connections can be selected. Meter cable goes to pin terminal 4 and 5.

**LCD settings**

To select meter, you need to enter Use setting, then enter CT/Meter Setting.



### 5.4.3 Parallel Communication

The inverter provides a parallel function. 10 inverters can be maximally connected in diagram 1. And diagram 2 allows up to three inverters to be connected. In these two systems, one inverter will be set as the "master inverter" which controls every other "slave inverter" in the system. In diagram 1, an X3-PBOX-150kW-G2 should be equipped and connected to the "master inverter," "slave inverter 1" should be connected to the "master inverter," and all other "slave inverters" are connected via network cable in a numbered sequence. An X3-PBOX-60kW-G2 can be selected when no more than six inverters are paralleled in diagram 1 system.

\* X3-Hybrid/Fit-D&X3-Hybrid/Fit-M + X3 Matebox Basic supports parallel function. X3-Hybrid-M + X3 Matebox advanced does not support parallel function.

#### ➤ System Diagram

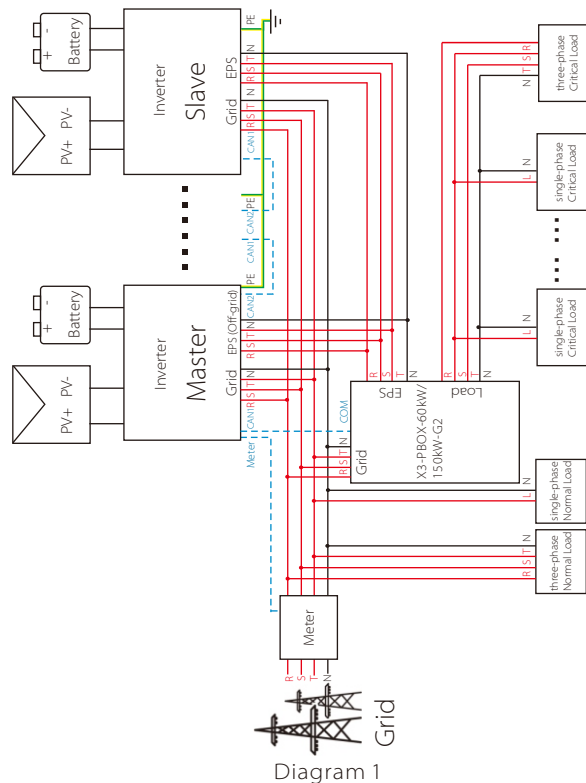


Diagram 1

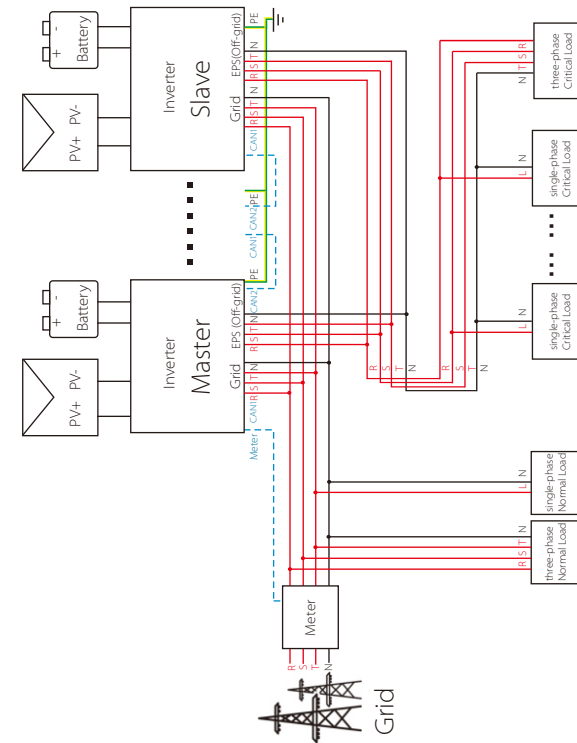


Diagram 2



#### Important Warning!

- The parallel system is extremely complex and a large amount of cables need to be connected, therefore it is strongly required that **every cable must be connected according to correct line sequence (R-R, S-S, T-T, N-N)**, otherwise any small misoperation may cause the system running failed.
- In diagram 2, **INCORRECT** line sequence (R-R, S-S, T-T, N-N) will damage the inverter. To avoid the damage, the default "Disable" has been set to "Enable" in "External ATS" under "Advance Settings". **Please set the default "Enable" in "External ATS" back to "Disable"**.

#### ➤ Work Modes in parallel system

There are three work modes in parallel system, and your acknowledge of different inverter's work modes will help you understand parallel system better, therefore please read it carefully before operating.



Free mode	Only if no one inverter is set as a "Master", all inverters are in free mode in the system.
Master mode	When one inverter is set as a "Master", this inverter enters master mode. Master mode can be changed to free mode.
Slave mode	Once one inverter is set as a "Master", all other inverters will enter slave mode automatically. slave mode can not be changed from other modes by LCD setting.

➤ **Wiring Operation and LCD Setting**



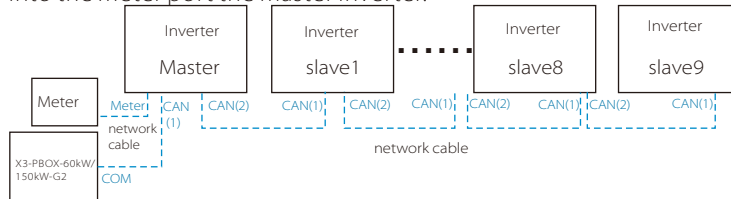
Note: Before operation, please make sure that the inverter meets the following three conditions,  
 1. The software version of all inverters is the same;  
 2. The power range of all inverter models is the same;  
 3. The type and quantity of batteries connected to all inverters are the same;  
 Otherwise, this function cannot be used.



Note: There are two CAN ports on the inverter. The CAN port of the inverter set as the "host" is connected. The CAN port on the left on the bottom frame of the inverter must be connected to the COM port of the X3-PBOX-60kW/150kW-G2, and the CAN port on the right is connected "Slave".

For diagram 1

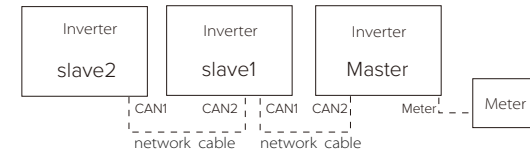
Step1: Connect all inverters' communication together by connecting network cables between CAN ports.  
 - Use standard network cables for CAN-CAN connection and insert one end of the cable into CAN1 of the master inverter and the other end into the COM port of X3-PBOX-150kW-G2.(X3-PBOX-60kW/150kW-G2 can be applied when six inverters are included in a parallel system.)  
 - Insert one end of network cable into the first inverter's CAN2 port and the other end into the next inverter's CAN1 port and other inverters are connected in such way .  
 - Insert one end of network cable into the meter, and the other end into the meter port the master inverter.



Note: In the parallel connection of the Fit series inverters, only the meter can be used.

For diagram 2

Step1: Connect all inverters' communication together by connecting network cables between CAN ports.  
 - Use standard network cables for CAN-CAN connection.  
 - Use network cable to connect master inverter CAN2 port and slave 1 inverter CAN1 port, and connect slave 1 inverter CAN2 port and slave2 inverter CAN1 port.  
 - Use network cable to connect master inverter meter port and meter.

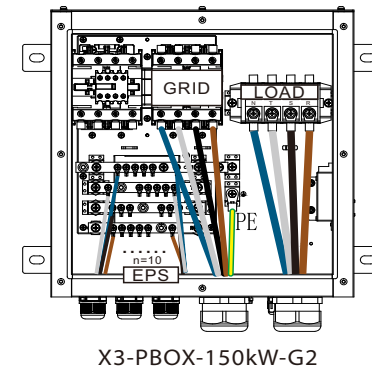


➤ **CAN PIN Definition**

	1	2	3	4	5	6	7	8
	485A	485B	VCC	CANH	CANL	GND	SYN1	SYN2

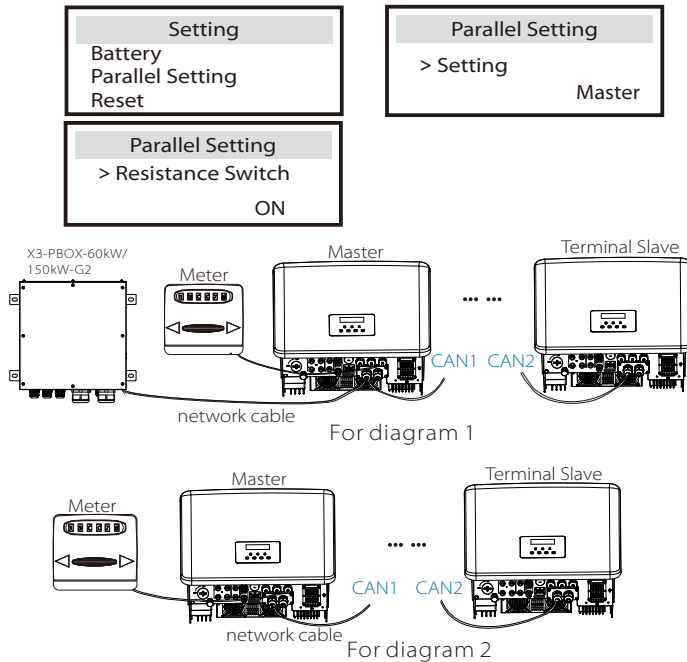
Step 2: Connect the power cable between X3-PBOX-60kW/150kW-G2 and inverter (R/S/T/N/PE) in diagram 1.  
 -If the user purchased the X3-PBOX-60kW/150kW-G2 product, please refer to the X3-PBOX-60kW/150kW-G2 user manual for installation and connection.

For example, the wiring diagram of the X3-PBOX-150kW-G2 power line.



X3-PBOX-150kW-G2

**Step 3:** Turn on the power of the entire system, find the inverter connected to the meter, enter the setting page of the inverter LCD screen, click on the parallel settings, and select "master control"; then enter the "resistance switch" and set it to "ON";  
Finally, find the last slave in the parallel system and enter the setting page of the inverter LCD screen and set the "resistance switch" to "ON".



➤ **How to Remove parallel system**

If one inverter wants to exit from this parallel system, please do the steps as below:

- Step1: Enter setting page and click parallel setting, and choose "Free".
- Step2: Disconnect all the network cables on the CAN port.

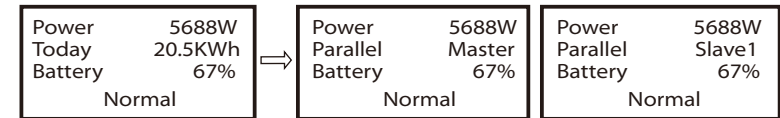
**Note!**

- If a slave inverter is set to "Free" mode but not disconnect the network cable, this inverter will return to "slave" mode automatically.
- If a slave inverter is disconnected with other inverter but not be set to "Free" mode, this inverter will stop working and maintain "waiting" status.

➤ **LCD display**

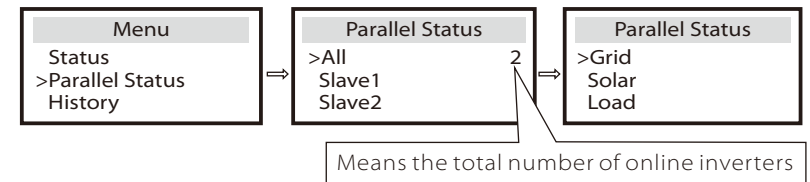
**Main display:**

Once inverter enters parallel system, the "today yield" will be replaced by "Inverter Class", and parallel relevant fault has a higher priority than other faults and will be showed firstly on main display.



**Status display:**

User can obtain all the status data from master inverter. System power and individual slave inverter power can be obtain in status display of master inverter.



➤ **Parallel Control Function**

Master inverter has an absolute lead in the parallel system to control all slave inverter's energy management and dispatch control. Once master inverter has some error and stop working, all slave inverter will be stop simultaneously. But master inverter is independent of all slave inverter to work and will not be affected by slave inverter's fault.

Overall system will be running according to master inverter's setting parameters, and most setting parameters of slave inverter will be kept but not be cancelled. Once slave inverter exit from system and be running as an independent unit, its all setting will be re-excuted.

The rest of this section covers several important parallel control functions, and the next page table shows which LCD options are controlled by master inverter and which can work independently.

**Off mode setting:**

Off mode can only be set by master inverter (long press ESC button on LCD).

**Safety setting:**

System safety protection is cancelled by master inverter's safety. slave inverter protection mechanism will only be triggered by master inverter's instructions.

**Self-use setting:**

If system is running as self-use mode, please note the Feedin Power Limit set of master inverter is for the overall system and the corresponding set of slave inverter is invalid.

**Power Factor setting:**

All sets about power factor are all for the overall system and the corresponding sets of slave inverter are invalid.

**Remote control setting:**

The remote demand instructions received by master inverter will be interpreted as the demand instructions to overall system.

**External ATS setting:**

INCORRECT line sequence (R-R, S-S, T-T, N-N) will damage the inverter. To avoid the damage, the default "Disable" has been set to "Enable" in "External ATS" under "Advance Settings". Users should set the default setting back to "Disable". Because only when a matebox advanced is connected, External ATS needs to be set to "Enable".

**5.4.4 COM Communication**

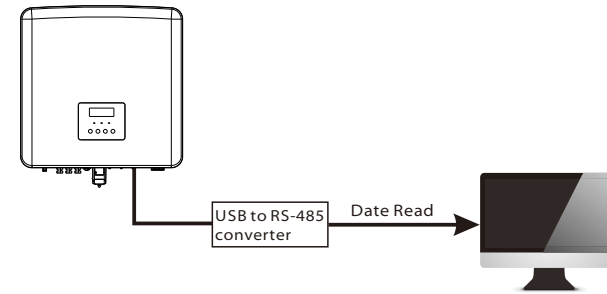
COM communication interface is mainly provided for customization the second step of development use. The inverter supports the control of external equipment or external equipment control through communication.

For example, the inverter adjusts the working mode of the heat pump and so on.

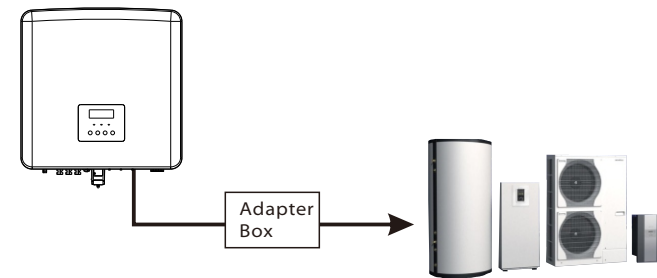
➤ **Application occasion**

COM is a standard communication interface, through which the monitoring data of the inverter can be directly obtained. Also, external communication devices can be connected to carry out the secondary development of the inverter. For specific technical docking, please contact us.

**External communication equipment controls the inverter:**



**Inverter communication control external equipment:**



➤ **COM PIN Definition**

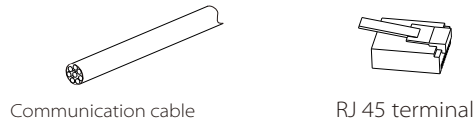
	1	2	3	4	5	6	7	8
	Drycontact_A(in)	Drycontact_B(in)	+13V	485A	485B	GND	Drycontact_A(out)	Drycontact_B(out)

**Note!**

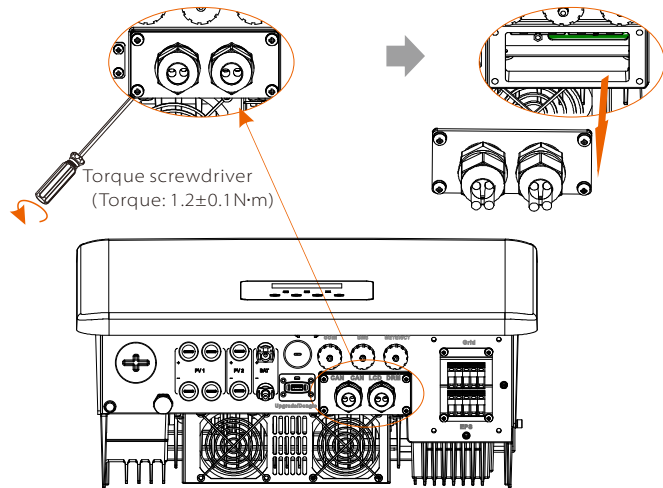
Customers can communicate or control the inverter and external devices through the COM interface. Professional users can use pins 4 and 5 to realize data acquisition and external control functions. The communication protocol is Modbus RTU. For details, please contact us. If the user wants to use the inverter dry contact to control external equipment (such as a heat pump), it can be used with the Adapter Box. For details, please refer to the Quick Installation Manual of the Adapter Box.

### 5.4.5 Communication Connection Steps

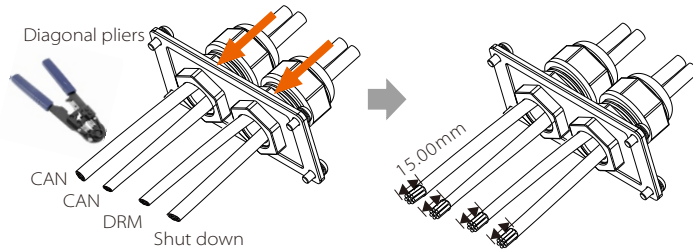
**Step 1.** Prepare a communication cable, and then find RJ 45 terminals in the accessory bag.



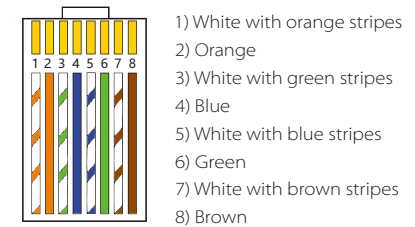
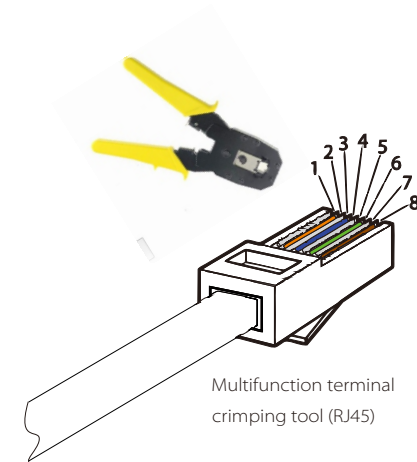
**Step 2.** The inverter CAN/DRM/OFF port communication line connection, need to remove the inverter cover plate.

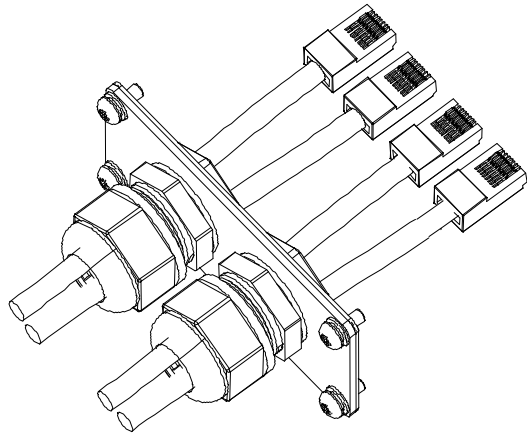


**Step 3.** Insert the communication cable through the communication adapter, and peel off the outer insulation layer of 15 mm.



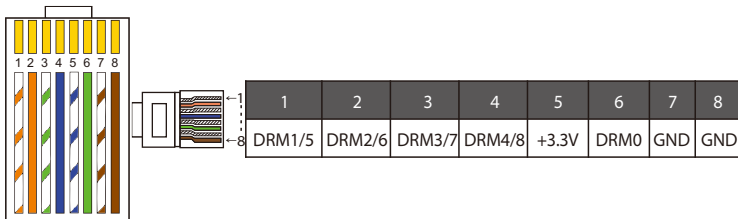
**Step 4.** Insert the prepared communication cables into the RJ45 terminals in sequence, and then use network cable crimping pliers to press them tightly.





➤ DRM communication cable

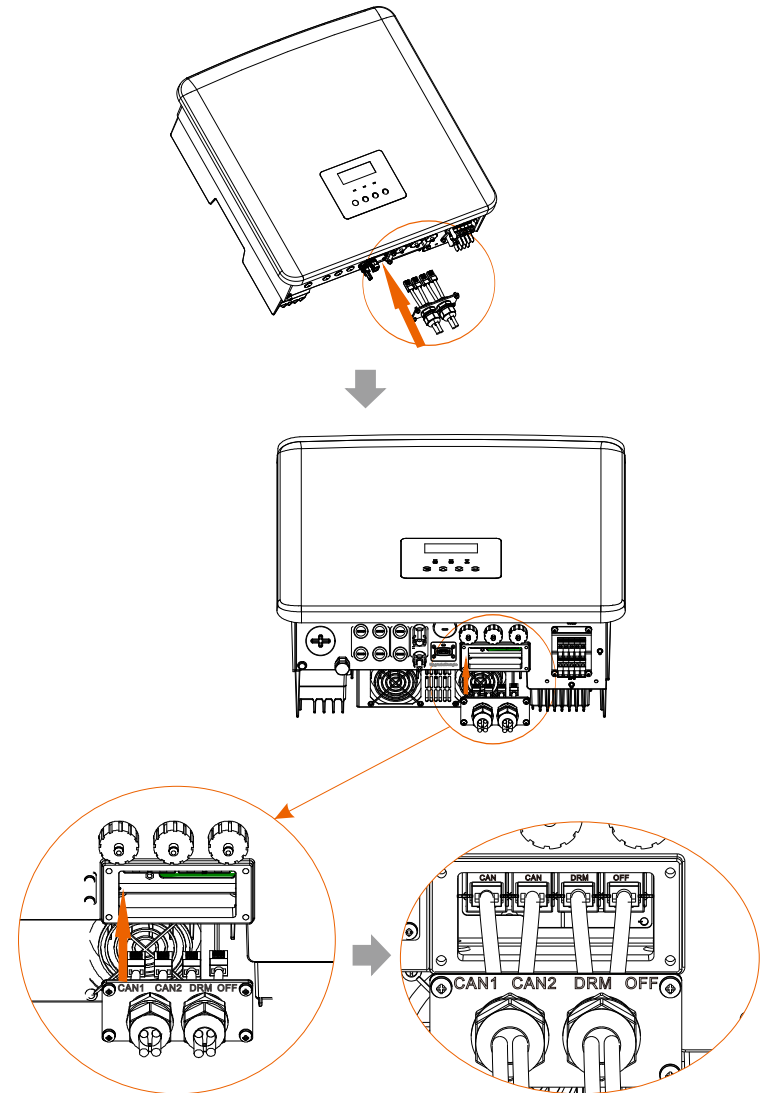
The DRM pin is defined as follows:



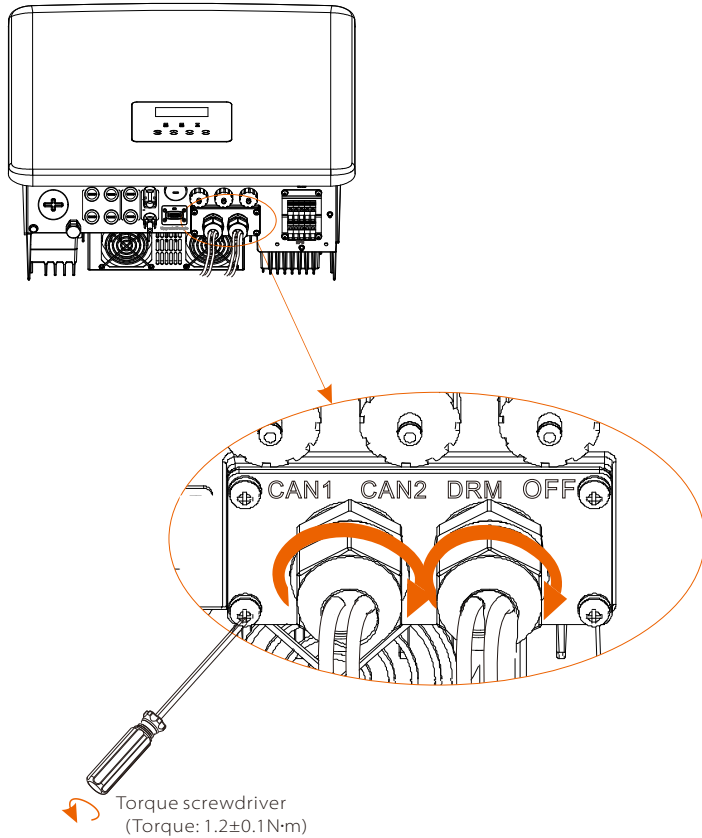
**Note!**

At present, there are only PIN6 (DRM0) and PIN1 (DRM1 /5), and other PIN functions are under development.

**Step 5.** Connect the DRM / CAN / OFF communication cable, and insert the cable into the corresponding port.



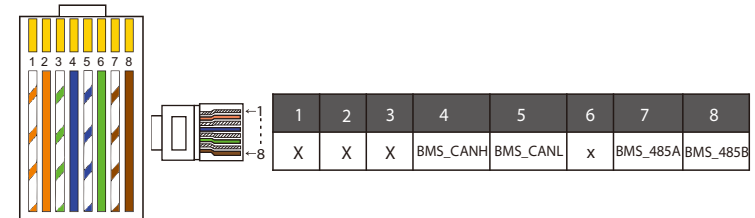
**Step 6.** Lock the cover plate and tighten the fastening head.



**Step 7:** Finally, find the corresponding COM, BMS, Meter, CAN, DRM, OFF ports on the inverter and insert the communication cable into the corresponding ports and screw them with waterproof connectors.

➤ **BMS communication cable**

The BMS pin is defined as follows:

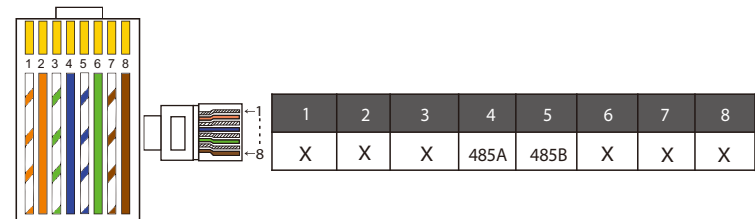


**Note!**

The communication port on the lithium battery must be consistent with the definition of pins 4, 5, 7, and 8 above;

➤ **METER communication cable**

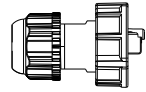
METER pin is defined as follow:



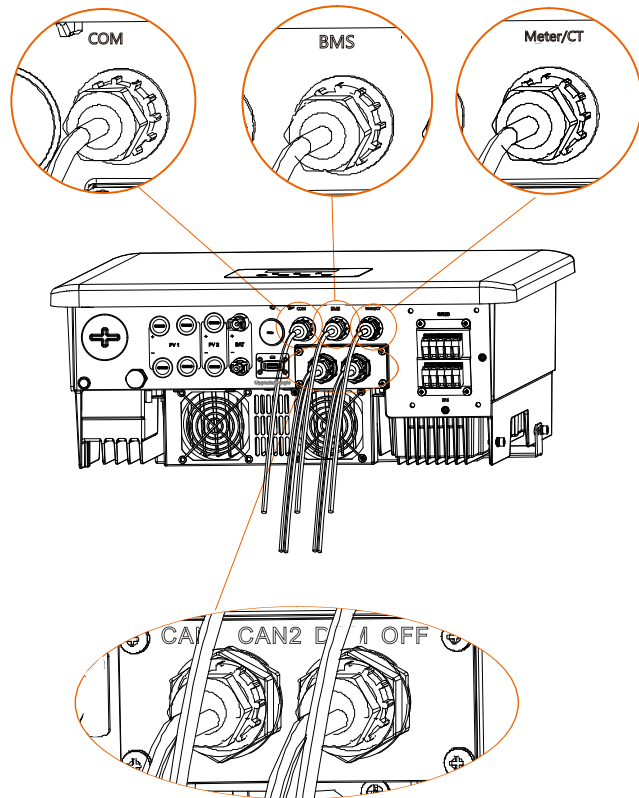
**Note!**

Only Meter connections can be selected. Meter cable goes to pin terminal 4 and 5.

Screw waterproof connectors tightly.



Waterproof connector with RJ 45



### 5.5 Grounding Connection (Mandatory)

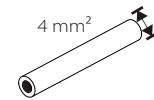
The user must make two ground connections: one shell grounding, and one equipotential grounding. This prevents electric shock.

**Note:** If the PV end of the inverter is not connected with earth, the inverter will turn on a red light Inspect and report ISO Fault. This inverter complies with IEC 62109-2 clause 13.9 for earth fault alarm monitoring.

The ground wire port of the inverter has been connected, and needs to be wired according to the following steps.

#### ➤ Ground connection steps

**Step 1.** Prepare a one-core cable (4 mm<sup>2</sup>), and then find the ground terminal in the accessories.



One-core cable (4 mm<sup>2</sup>)

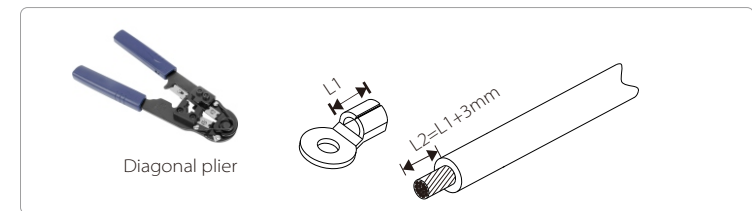


OT terminal

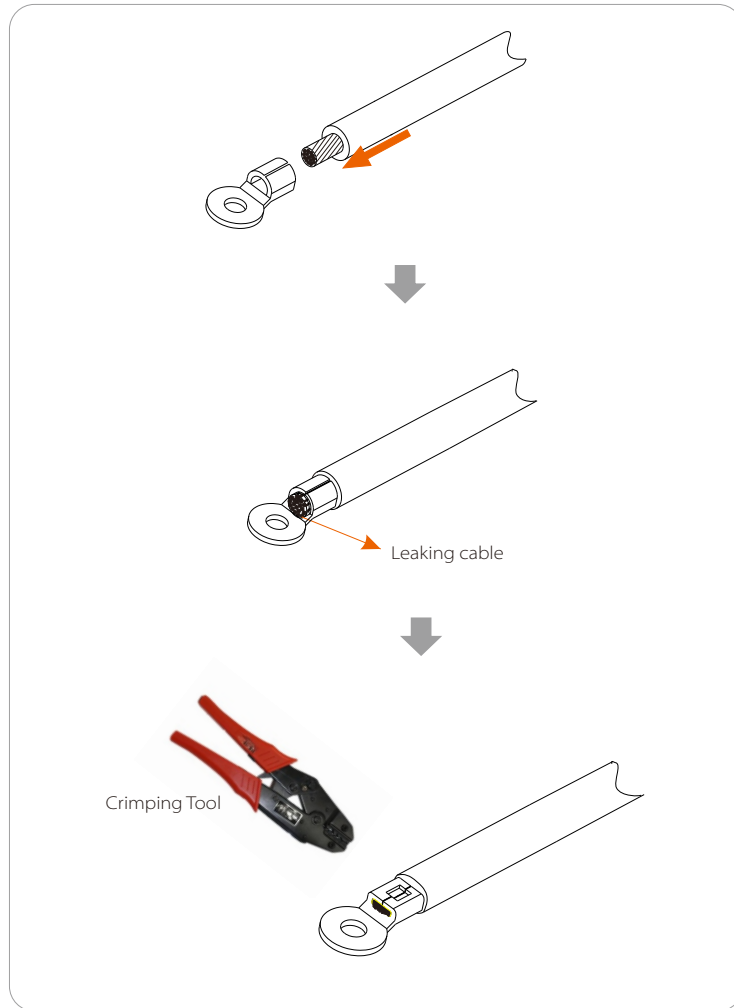


Hexagon socket screws

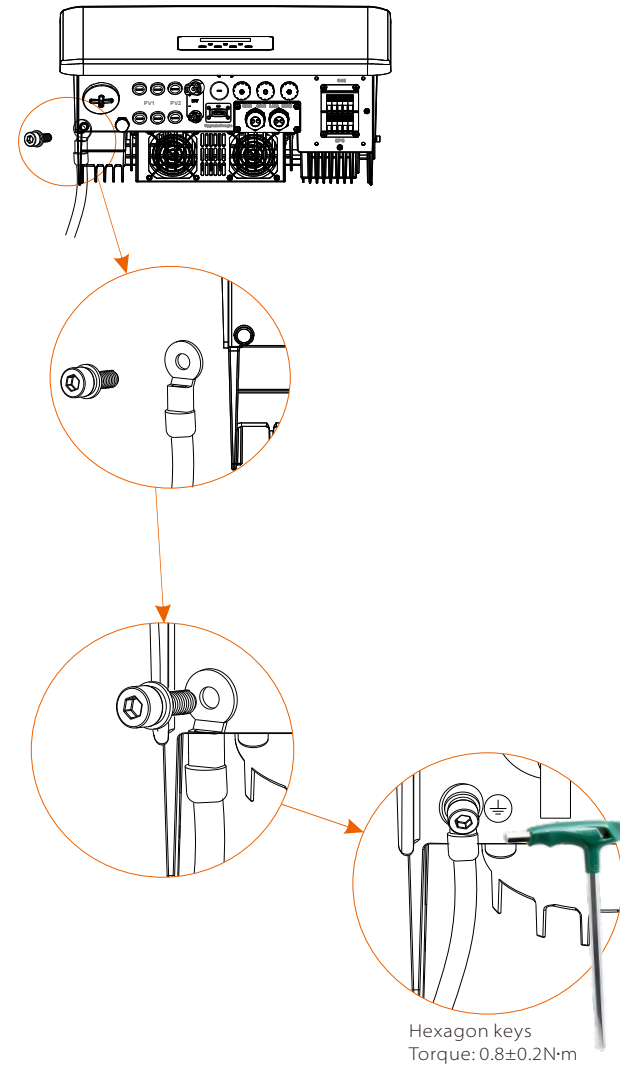
**Step 2.** Strip the grounding cable insulation (length "L2"), insert the striped cable into the ring terminal, and then clamp it.



**Step 3.** Insert the striped cable into OT terminal and tighten the terminal with a terminal crimping tool.



**Step 4.** Find the ground connection port on the inverter, and screw the ground wire on the inverter with an M5 Hexagon keys.

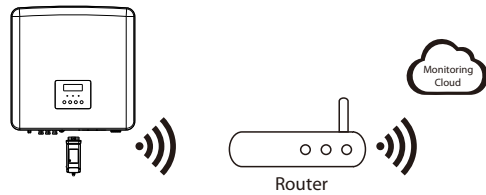




## 5.6 Monitoring Connection (Accessories)

The inverter provides a DONGLE port, which can transmit data of the inverter to the monitoring website via WiFi Dongle, 4G Dongle and LAN Dongle. (If necessary, purchase products from our company.)

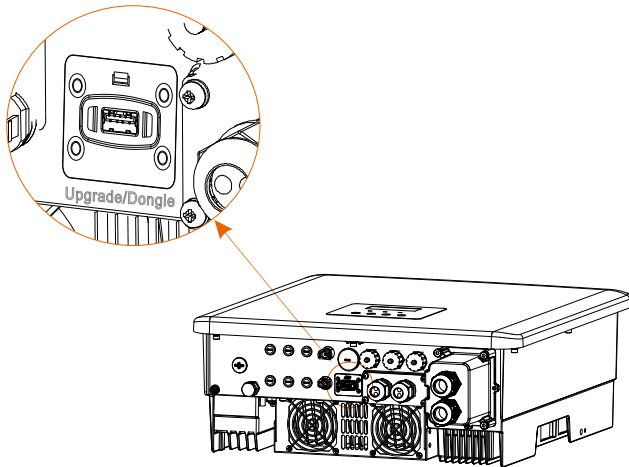
### ➤ DONGLE connection diagram



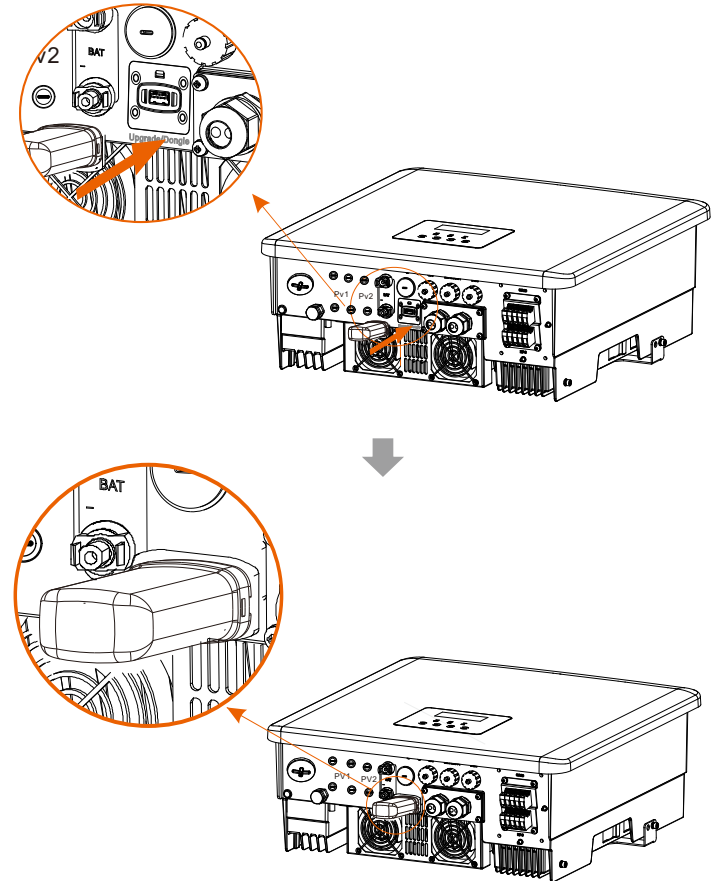
### ➤ Wireless monitoring accessories connection steps

DONGLE port connection line of the inverter is on the X3-Matebox, for specific installation details, please refer to the X3-Matebox Quick Installation Guide. It is necessary to wire the inverter according to the following steps.

Step 1. First find the DONGLE port of the inverter.



Step 2. Plug WiFi Dongle into the DONGLE port.



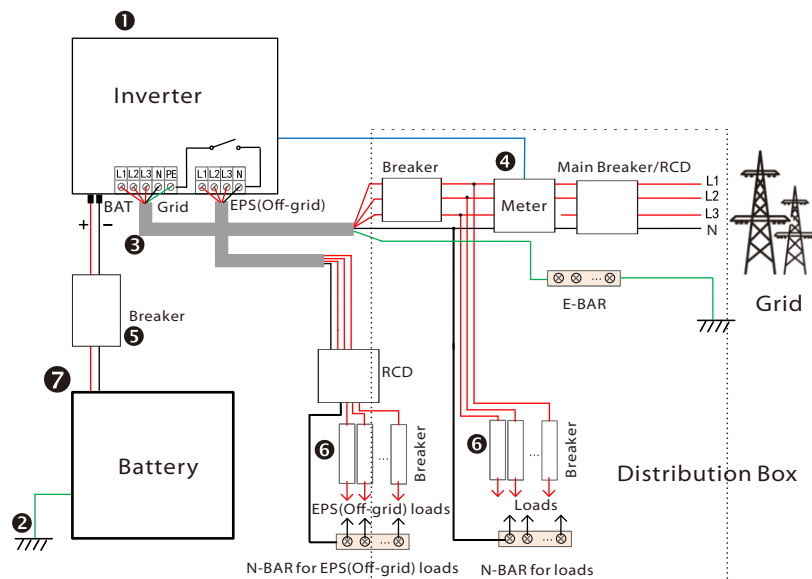
Please check the WiFi Dongle user manual / LAN Dongle user manual / 4G user manual.

### 5.7 Check All below Steps before Starting Inverter

➤ After the inverter is checked, then conduct the following steps

- ❶ Make sure that the inverter is fixed on the wall.
- ❷ Ensure that all ground wires are grounded.
- ❸ Confirm that all AC lines are connected.
- ❹ Make sure the meter is well connected.
- ❺ Make sure the battery is well connected.
- ❻ Turn on the Load breaker and EPS(Off-grid) breaker.
- ❼ Turn on the battery breaker.
- ❽ Turn on the DC switch.

Long press the "Enter" key for 5 seconds to exit the Off mode.  
(The mode is factory defaulted as Off Mode)



Note: The RCD on the figure represents a leakage protection device with a circuit breaker function.

### 5.8 Inverter Operation

➤ Before operation, check the inverter according to the following steps

- a) Check that the inverter is well fixed on the wall.
- b) Ensure that all ground wires are well tightened.
- c) Ensure that all DC and AC circuit breakers are disconnected.
- d) Ensure that all ground wires are well tightened.
- e) The AC output terminal is correctly connected to the mains.

➤ Start the inverter

- Steps to start the inverter
  - Turn on the AC switch between the inverter and the power grid.
  - If the battery port of the inverter is connected to a battery, turn on the auxiliary power switch of the battery and then the battery switch.
- Check the status of the LED and LCD screen, the LED is blue, and the LCD displays the main interface.
- If the LED is not blue, please check the following:
  - All connections are correct.
  - All external disconnect switches are closed.
  - The DC switch of the inverter is set to the "ON" position.


The following are 3 different states of inverter operation, which means that the inverter starts successfully.


Waiting: When the DC output voltage of the photovoltaic panel is higher than 160V (lowest starting voltage) and lower than 180V (lowest working voltage), the inverter waits for checking.

Checking: The inverter will automatically detect the DC input. When the DC input voltage of the photovoltaic panel is higher than 200V and the photovoltaic panel has enough energy to start the inverter, the inverter will enter the checking state.

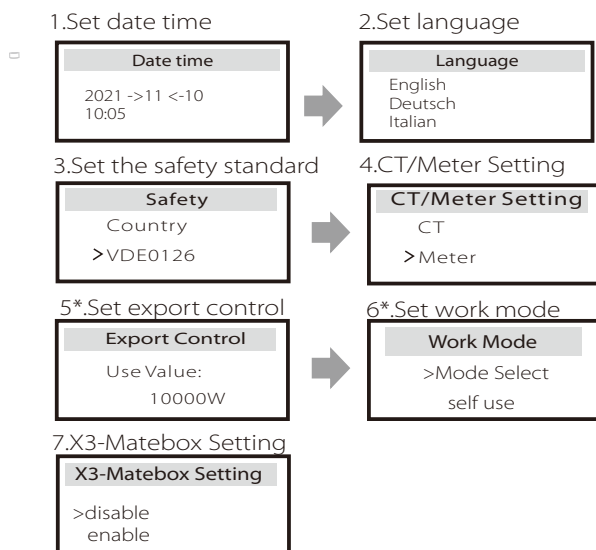
Normal: When the inverter is working normally, the green light is always on. At the same time, the power is fed back to the grid, and the LCD displays the output power.

If it is the first time to boot, please follow the prompts to enter the setting interface.

**Warning!**  
 The input terminal of the inverter can be opened only when all the installation work of the inverter has been completed. All electrical connections must be performed by professionals in accordance with local regulations.

**Note!**  
 If it is the first time to operate the inverter, the system will automatically display setup guide. Please follow the setup guide to complete the basic inverter settings.

Please follow the setup guide to complete the basic inverter settings.




#### 5\*. Export Control


This function allows the inverter able to control energy exported to the grid. There are user value and factory value. The factory value is default which can not be changed by user. The user value set by installer must be less than the factory value.


## 6 Firmware Upgrade


### ➤ Upgrade notes

Please read the following precautions before upgrading.

**Warning!**  
 - In order to upgrade the firmware smoothly, if the DSP and ARM firmware need to be upgraded, please note that ARM firmware must be upgraded first, then DSP firmware!  
 - Please make sure that the category format is correct, do not modify the firmware file name, Otherwise, the inverter may not work!


**Warning!**  
 - For the inverter, ensure that the PV input voltage is greater than 180V (upgrade on sunny days). please ensure that the battery SOC is greater than 20% or the battery input voltage is greater than 180V. Otherwise, it may cause serious failure during the upgrade process!

**Caution!**  
 - If the ARM firmware upgrade fails or stops, please do not unplug the U disk power off the inverter and restart it. Then repeat the upgrade steps.

**Caution!**  
 - If the DSP firmware upgrade fails or stops, please check whether the power is off. If it is normal, plug in the U disk again and repeat the upgrade.

### ➤ Upgrade preparation

1) Please check the inverter version and prepare a U disk (USB 2.0/3.0) and personal computer before upgrading.

**Caution!**  
 - Please make sure that the size of the U disk is smaller than 32G, and the format is FAT 16 or FAT 32.

2) Please contact our service support to obtain the firmware, and store the firmware in the U disk according to the following path.

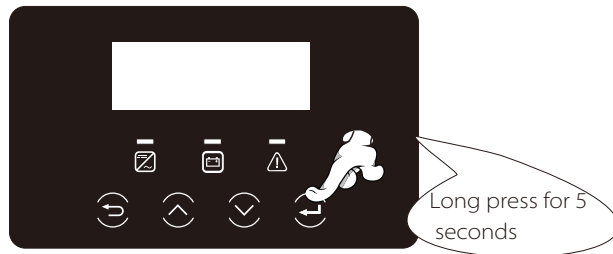
Update:

For ARM file: "update\ARM\618.00406.00\_HYB\_3P\_ARM\_V1.13\_1220.usb";

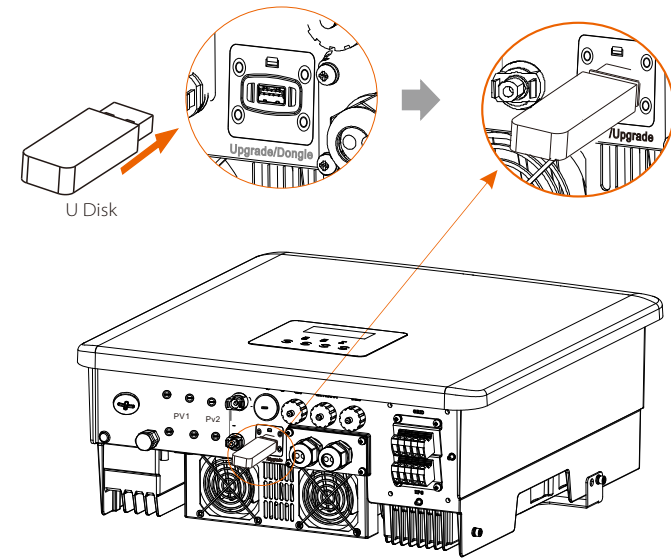
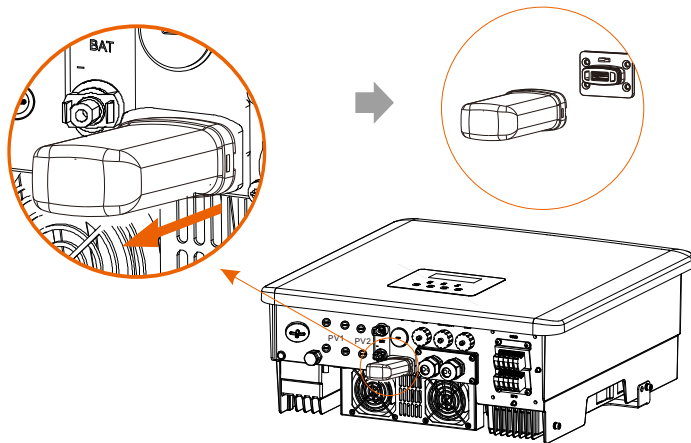
For DSP file: "update\DSP\618.00405.00\_HYB\_3P\_DSP\_V1.14\_1215.usb";

➤ Upgrade steps

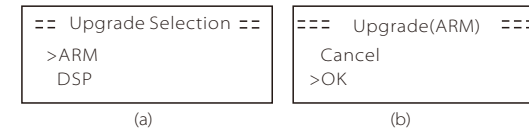
**Step 1.** Please save the "Upgrade" firmware in your U disk first, and press the "Enter" button on the inverter screen for 5 seconds to enter the OFF mode.



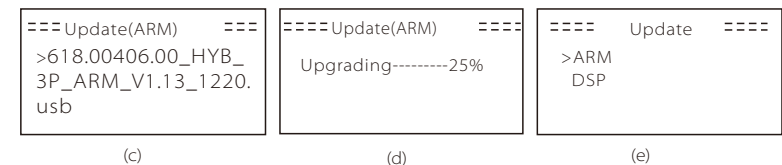
**Step 2.** Find the "Upgrade" port of the inverter, unplug the monitoring module (WiFi Dongle/ 4G Dongle/ LAN Dongle) by hand, and insert the USB flash drive.



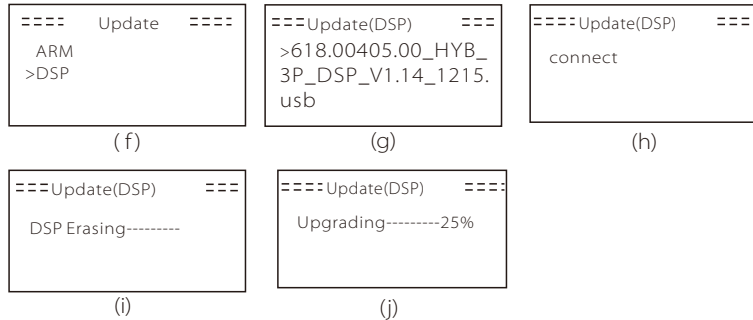
**Step 3.** LCD operation, enter the upgrade interface "update", as shown below (a): Please press the up and down keys to select ARM, then press down to set "OK", press the enter key to enter the software version interface;



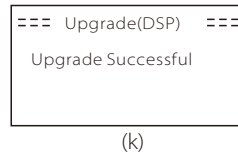
**Step 4.** Please confirm the new firmware version again and select the firmware to upgrade. The upgrade takes about 20 seconds. (d) When it is completed, the LCD screen returns to the "Update" page.




**Step 5.** For DSP: Please wait for 10 seconds. When "Update" page shown as below, press down to select "DSP" and then press Enter. Please confirm the firmware version again and press Enter to upgrade. The upgrade takes about 2 minutes.



**Step 6.** After the upgrade is completed, the LCD screen displays "Upgrade Successful".



**Step 7.** Plug off the U disk, press "Esc" to return to the main interface, and long press the enter key to exit the mode.



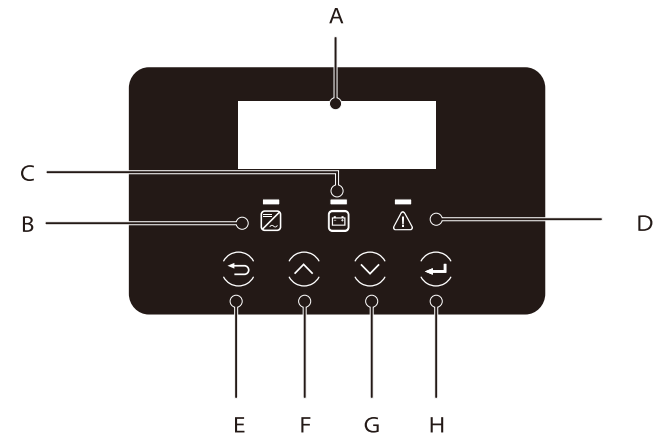
**Caution!**

- Please strictly follow each step from step 1-6, don't miss it.
- Please confirm the ARM/DSP firmware version on the USB flash drive.

Tip: If the display screen is stuck on "X3-Fit G4" after the upgrade, please turn off the photovoltaic power supply and restart, and the inverter will restart and return to normal. If not, please contact us for help.

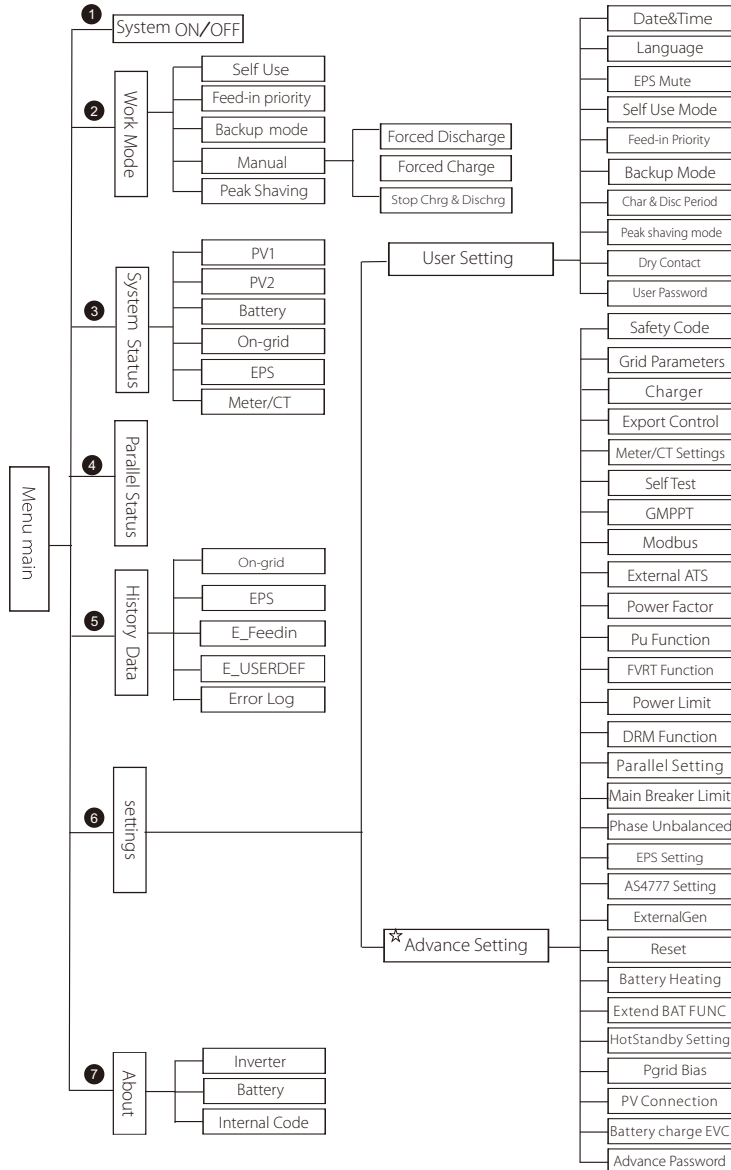
## 7 Setting

### 7.1 Control Panel



Object	Name	Description
A	LCD Screen	Display inverter information on the LCD display.
B	LED Indicator light	Blue light: The inverter is in normal state or EPS(Off-grid) mode. Blue flashing: The inverter is in the waiting, checking state or the system switch is off. Off: The inverter is in a fault state.
C		Green: The battery communication is normal but the battery MCB is disconnected, and the battery communication is normal and working normally. Green flashing: The battery communication is normal and in an idle state. Off: The battery does not communicate with the inverter.
D		Red light on: The inverter is in a fault state. Off: The inverter has no error.
E	Key Function	ESC button: Return from the current interface or function.
F		Up button: Move the cursor to the upper part or increase the value.
G		Down button: Move the cursor down or decrease the value.
H		Enter button: Confirm selection.

### 7.2 Menu Structure



Note: "★" This part of the content cannot be set by the end user. Please contact the installer or our company if necessary.

### 7.3 LCD Operation

The main interface is the default interface, the inverter will automatically return to this interface when the system started up successfully or not operated for a period of time. The information of the interface is as below. "Power" means the instant output power; "Today" means the power generated within the day. "Battery" means the left capacity of battery energy.

Power	0W
Today	0.0KWh
Battery	80%
Normal	

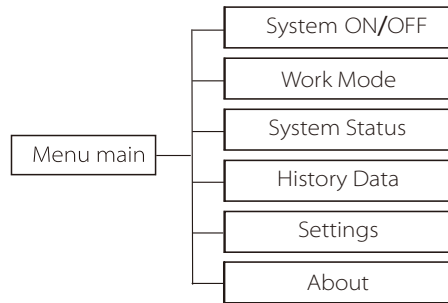
#### ➤ Menu interface

The menu interface is another interface for users to change settings or obtain information.

- When the LCD displays the main interface, click "OK" to enter this interface.
- The user can select up and down the menu, and press the "OK" key to confirm.

Menu
> System ON/OFF
Work Mode
System Status

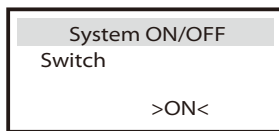
➤ Menu main



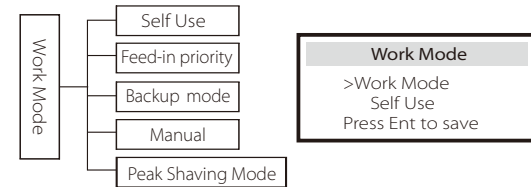
➤ System ON/OFF

"ON" means the inverter is in working state, and the inverter is in the default state.

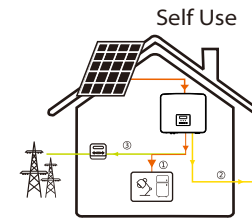
"OFF" means that the inverter stops running and only the LCD screen is on.



➤ Work Mode

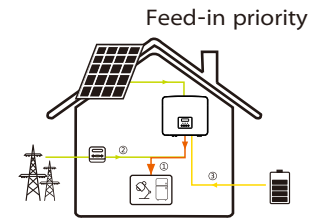


For **on-grid** status, there are four work modes: Self Use, Feed-in Priority, Backup, Manual and Peak Shaving Mode.



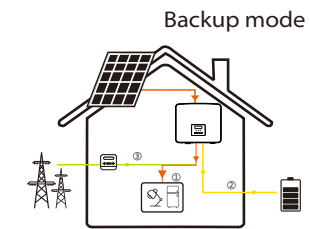
The self-use mode is suitable for areas with low feed-in subsidies and high electricity prices. The power of PV will supply the loads first, and surplus power will charge the battery, then the remaining power will feed into the grid.

**Priority: Loads > Battery > Grid**



The feed-in priority mode is suitable for areas with high feed-in subsidies, but has feed-in power limitation. The power of PV will supply the loads first, and surplus power will feed into the grid, then the remaining power will charge the battery.

**Priority: Loads > Grid > Battery**



The back-up mode is suitable for areas with frequent power outages. This mode will maintain the battery capacity at relatively high level, to ensure that the emergency loads can be used when the grid is off. Same working logic with "Self-use" mode.

**Priority: Loads > Battery > Grid**

\* For the above three work modes, when the power of PV is insufficient to supply the loads, the battery will supply the loads. If the battery is insufficient, then the grid will supply the loads.

**Manual**

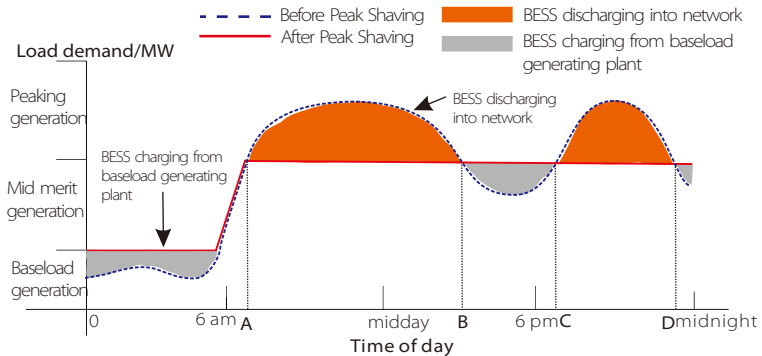
This work mode is for the after-sales team to do after-sales maintenance.

Manual mode, there are three options to choose from: forced charging, forced discharge, stop charging and discharging (grid-connected power).

Work Mode	Work Mode	Work Mode
>Manual Forced Charge	>Manual Forced Discharge	>Manual Stop Chrg&Dischrg

**Peak shaving mode**

Peak shaving mode is set for leaving out peaks in electricity use.



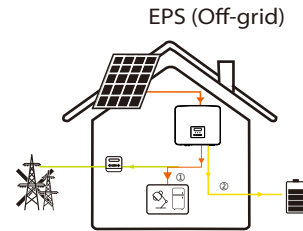
The D-A period is the battery charging period during which discharging is not allowed and the PV will charge the battery first for peak shaving. The "ChargeFromGrid" setting determines whether or not to charge from the grid. When "ChargeFromGrid" is set to "Disable", the battery cannot charge from the grid; when "ChargeFromGrid" is set to "Enable" and the actual battery SOC is less than "Max\_SOC", the battery will charge from the grid at no more than "ChargePowerLimits" power.

In the A-B and C-D periods, if the power of loads does not exceed "PeakLimits", the PV will charge the battery first. When the battery is fully charged, the PV will charge loads, and the surplus power will feed into the grid. If the power of loads exceeds "PeakLimits", the PV and battery will discharge energy for loads and thus reduce the amount of energy purchased from the grid.

In the B-C period, the battery does not discharge. The PV will charge the battery to the "Reserved SOC" first and then supply power for loads, with the surplus power feeding into the grid. Charging the battery first in these periods is storing energy for the peak shaving.

\* If there are requirements for zero output from the inverter, the PV output will be limited.

For **off-grid** status, there is only one work mode: EPS (Off-grid).



In case of power failure, the system will supply EPS loads through PV and battery. (The battery must be installed, and EPS loads shall not exceed battery's max. output power.)  
The power of PV will charge the loads first, and surplus power will charge the battery.

**Priority: Loads > Battery**

Note:

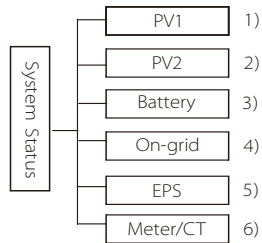
The battery will stop discharging when SOC=min SOC. But due to battery self consumption, sometimes SOC may < min SOC.

For on-grid status, if the battery SOC ≤ (min SOC-5%), the inverter will take utility energy to charge battery SOC back to (min SOC+1%).

For off-grid status, if the battery SOC ≤min SOC, the inverter will be unable to enter EPS mode (the battery will be unable to discharge unless SOC is back to 31%).



➤ System Status



System status contains six content: PV1/PV2/Battery/On-grid (energy feed into or buy from the grid)and EPS(Off-grid) and so on. Press up and down to select, press "Enter" to confirm the selection, and press "ESC" to return to the menu.

1/2) PV1, PV2

Here you can see the voltage, current and power of the pv1 and Pv2. Photovoltaic panels respectively;

PV1	
>U	0.0V
I	0.0A
P	0W

PV2	
>U	0.0V
I	0.0A
P	0W

3) Battery

This status shows the battery condition of the system. Including battery voltage and battery current, Battery power, battery capacity, battery temperature, BMS connection status. The meaning of the sign of battery current and power: "+" means charging; "-" means discharging.

Battery	
U	400.0V
I	-1.0A
P	-400W
SoC	0%
Cell Temp	20°C
BMS Connected	
BMS Disconnected	

Battery	
U	400.0V
I	-1.0A
P	-400W
NTC Temp	

4) On-grid

Here you can see the voltage, current, frequency, and power of the grid.

On-grid A	
Ua	0.0V
Ia	0.0A
PaOut	0W

On-grid B	
Ub	0.0V
Ib	0.0A
PbOut	0W

On-grid C	
Uc	0.0V
Ic	0.0A
PcOut	0W

Grid Frequency	
Fa	0.00Hz
Fb	0.00Hz
Fc	0.00Hz

5) EPS

Here you can see the inverter of voltage, current, frequency and power.

EPS_Spower	
PaS	0VA
PbS	0VA
PcS	0VA

EPS A	
Ua	0.0V
Ia	0.0A
PaActive	0W

Frequency	
Freq	0.00Hz

EPS B	
Ub	0.0V
Ib	0.0A
PbActive	0W

EPS C	
Uc	0.0V
Ic	0.0A
PcActive	0W

6) Meter/CT

Here you can see the data showing the meter or the CT.

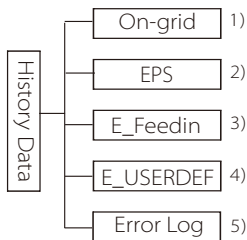
Meter/CT	
Pfeedin A	
Pfeedin B	
Pfeedin C	
.....	
P_USERDEF A	
P_USERDEF B	
P_USERDEF C	

➤ Parallel Status

Status shows on the screen when paralleling.

Parallel Status	
All	3
Slaver1	○
Slaver2	X
Slaver3	○
Slaver4	X
Slaver5	X
Slaver6	X
Slaver7	X
Slaver8	X
Slaver9	X

➤ History Data



The history data contains five pieces of information: on-grid power of the inverter, EPS power generation, power of the meter /CT and error Error logs.

Press up and down to select, press Enter to confirm selection, and press ESC to return to the menu.

1 ) On-grid

Here is a record of the power capacity of the inverter connected to the grid today and the total.

On-grid	
Output Today	0.0 KWh
Output Total	0.0 KWh
Input Total	0.0 KWh
Input Today	0.0 KWh

2) EPS

Here you can see the EPS output of the inverter today and the total output.

EPS		EPS	
Today:	0.0 KWh	Total:	0.0 KWh

3 ) E\_Feedin

Here you can see the inverter's electricity sold, total electricity sold, electricity bought from the grid and total electricity bought on that day.

E_Feedin
>FeedInToday
FeedInTotal
ConsumeToday
ConsumeTotal

4) E\_USERDEF

Here you can see the total power output of the inverter for the day.

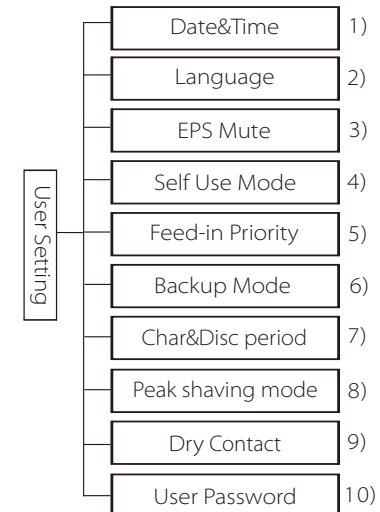
E_USERDEF
>Output Today
OutputTotal

5) Error Log

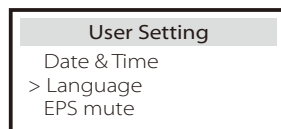
Here you can see the most recent six error messages.

Error log
>No error

➤ User Setting

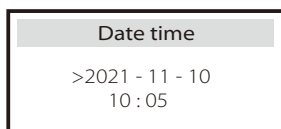


Here you can set the inverter time, language, working mode SOC, charging and discharging time period and user password.



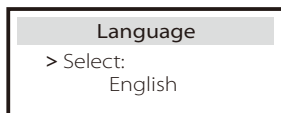
1) Date time

This interface is for users to set the system date and time.



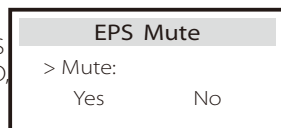
2) Language

This inverter provides multiple languages for customers to choose, such as English, Deutsch, francais, Polskie, Espanol, Portugués.



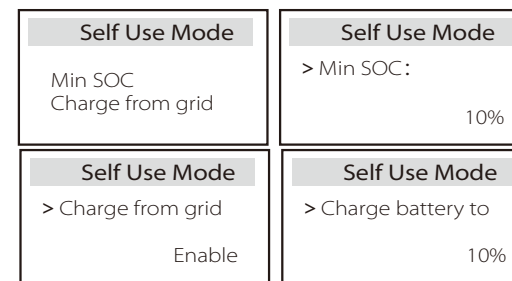
3) EPS Mute

Here you can choose whether the buzzer is turned on when the inverter is running in EPS mode. Select Yes, the buzzer mutes, select NO, EPS mode, the buzzer will sound once every 4s when the battery is fully charged, the closer the battery is to the empty state, the higher the buzzer will sound, to remind users to avoid battery loss.



4) Self-use mode

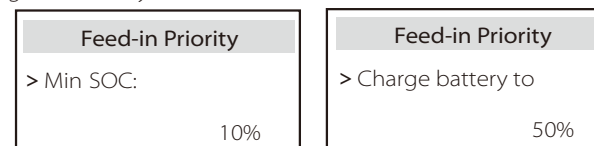
In this mode, you can set the power reserve percentage of the minimum battery state, set whether the power can be taken from the mains side to charge the battery, and set the amount of power to charge the battery. For example: set the reserved minimum SOC of the battery capacity to "10%", which means that when the battery has been discharged to 10% of the battery capacity, the battery is not allowed to continue to discharge; When Charge from grid is set to "Enable", the utility power is allowed to charge the battery; when set to "Disable", the utility power is not allowed to charge the battery; Charge battery to is set to 10%, indicating that the mains is allowed to charge the battery at 10%.



5) Feed-in Priority

In this mode, you can set the power reserve percentage of the minimum battery state, set whether the power can be taken from the mains side to charge the battery, and set the amount of power to charge the battery. For example: set the reserved minimum SOC of the battery capacity to "10%", which means that when the battery has been discharged to 10% of the battery capacity, the battery is not allowed to continue to discharge;

Charge battery to is set to 50%, indicating that the mains is allowed to charge the battery at 50%.

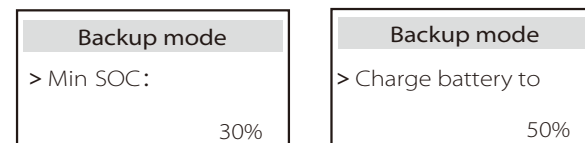


6) Backup mode

In this mode, you can set the power reserve percentage of the minimum battery state, set whether the power can be taken from the mains side to charge the battery, and set the amount of power to charge the battery.

For example: set the reserved minimum SOC of the battery capacity to "30%", which means that when the battery has been discharged to 30% of the battery capacity, the battery is not allowed to continue to discharge;

Charge battery to is set to 50%, indicating that the mains is allowed to charge the battery at 50%.



7) Charge and discharge time

Here you can set the charge and discharge time period.

If two charging and discharging periods are needed, turn on the charging and discharging period 2 and set the period.

<b>Char&amp;Disc Period</b> > Forced Chrg Period Start Time 00:00	<b>Char&amp;Disc Period</b> > Forced Chrg Period End Time 00:00	<b>Char&amp;Disc Period</b> > Allowed Disc Period Start Time 00:00
<b>Char&amp;Disc Period</b> > Allowed Disc Period End Time 00:00	<b>Char&amp;Disc Period</b> > Char&Disc Period2	<b>Char&amp;Disc Period2</b> > Function Control  Enable
<b>Char&amp;Disc Period2</b> > Forced Chrg Period Start Time 00:00	<b>Char&amp;Disc Period2</b> > Forced Chrg Period End Time 00:00	<b>Char&amp;Disc Period2</b> > Allowed Disc Period Start Time 00:00
<b>Char&amp;Disc Period2</b> > Allowed Disc Period End Time 00:00		

8) Peak shaving mode

This setting is for enabling peak shaving mode.

"DisChgPeriod1" or "DisChgPeriod2" are two discharging periods you can set. Set "ShavingStartTime1" (default value: 7:00) and "ShavingEndTime1" (default value: 15:00) under "DisChgPeriod1" and "ShavingStartTime2" (default value: 19:00) and "ShavingEndTime2" (default value: 23:00) under "DisChgPeriod2" to define the peak hours of electricity.

Set "PeakLimits1/2" to limit the power that loads get from the grid. Once the power of loads exceeds "peak limits" during the peak hours, the PV and battery will discharge energy for loads and thus reduce the amount of energy purchased from the grid. In non-peak hours, discharging of the battery is not allowed. If you want to get electricity from the grid, set "ChargeFromGrid" to "Enable". "Disable" is the default setting. When you select "Enable" and the actual battery SOC is less than "MAX\_SOC (settable)", the battery can be charged from the grid at no more than "ChargePowerLimits" (settable) power.

Range of "ChargePowerLimits": 0 W~rated power (W)

The range of "MAX\_SOC" is 10%–100%; the default value is 50%.

Range of "Reserved\_SOC": 10%–100%; the default value is 50%.

"Reserved\_SOC" is the battery capacity saved for the next peak shaving in the non-peak shaving period.

<b>User Setting</b> > Peak shaving mode	<b>Peak shaving mode</b> >DisChgPeriod1 DisChgPeriod2 ChargeFromGrid	<b>DisChgPeriod1</b> ShavingStartTime  07:00
<b>DisChgPeriod1</b> ShavingEndTime  15:00	<b>DisChgPeriod1</b> ShavingLimits1  0W	<b>Peak shaving mode</b> DisChgPeriod1 >DisChgPeriod2 ChargeFromGrid
<b>DisChgPeriod2</b> ShavingStartTime  19:00	<b>DisChgPeriod2</b> ShavingEndTime  23:00	<b>DisChgPeriod2</b> ShavingLimits2  0W
<b>Peak shaving mode</b> DisChgPeriod1 DisChgPeriod2 >ChargeFromGrid	<b>ChargeFromGrid</b> ChargeFromGrid  Disable	<b>ChargeFromGrid</b> ChargePowerLimits  1000W
<b>ChargeFromGrid</b> MAX_SOC  50%	<b>Peak shaving mode</b> DisChgPeriod2 ChargeFromGrid >Reserved_SOC	<b>ReservedSOC</b> Reserved_SOC  50%

9) Dry Contact

When the user uses the inverter communication control external device function, you can enter here to set the parameters of the external response control. For the setting method, please refer to the user manual of the compatible external device.

If the user uses the inverter dry contacts to control external devices (such as heat pumps) through the Adapter box, please refer to the Adapter box quick installation manual to set the parameters here.

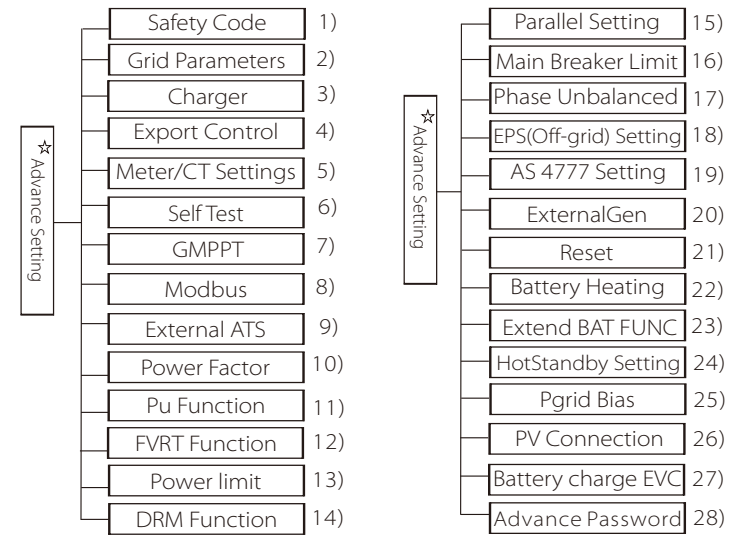
<b>Load Management</b> > Mode Select  Disable	<b>Load Management</b> > Mode Select  Manual
<b>Load Management</b> Switch ON OFF	<b>Load Management</b> > Mode Select  SmartSave

<b>Load Management</b> Thresholds on Feedin power 3000W	<b>Load Management</b> Thresholds off Consumption 500W
<b>Load Management</b> Thresholds off Battery SoC 40%	<b>Load Management</b> Minimum duration per on-signal 5 M
<b>Load Management</b> Minimum duration per day 900 M	<b>Load Management</b> > Schedule Enable
<b>Load Management</b> Work Period 1 Start time 00:00	<b>Load Management</b> Work Period 1 End time 00:00
<b>Load Management</b> Work Period 2 Start time 00:00	<b>Load Management</b> Work Period 2 End time 00:00

10) User Password  
 The default password for the end user is "0000", where you can reset the new password and press the up/down key to increase or decrease the value. Press "Enter" to confirm the value and jump to the next digit. When all passwords have been entered and confirmed, press "OK" to set the password successfully.

User Password				
>				
0	0	0	0	

➤ Advance setting



All advanced settings can be set here, such as battery, grid, EPS(Off-grid), etc.

"Advanced" setting is generally customization and resetting for battery and grid. Each part has lower level parts.

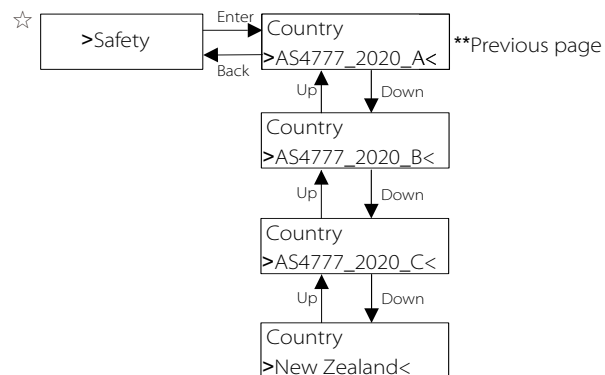
Please contact your installer or factory and enter the installer password.

Advanced
Safety Code
> Grid Parameters

1) Safety Code

User can set safety standard according to different countries and grid tied standards. There are 8 standards to select. **(May be changed or added without notice)**

Item	Standard	Country
1	VDE 0126	German
2	ARN 4015	German
3	AS 4777	Australia
4	EN 50549_EU	Netherlands
5	G98/G99	UK
6	EN 50438_NL	Netherlands
7	CEI 0-21	Italy
8	IEC61727_In	India



Region	Australia A	Australia B	Australia C	New Zealand	
Standard Code Name	AS4777_2020_A	AS4777_2020_B	AS4777_2020_C	New Zealand	Setting Range
OV-G-V	265V	265V	265V	265V	230-300V
OV-G-V2	275V	275V	275V	275V	1-2S
OV-GV2-T	0.1S	0.1S	0.1S	0.1S	230-300V
UN-G-V1	180V	180V	180V	180V	0-0.2S
UNGV1-T	10S	10S	10S	10S	40-230V
UN-G-V2	70V	70V	70V	70V	10-11S
UNGV2-T	1.5S	1.5S	1.5S	1.5S	40-230V
OV-G-F1	52HZ	52HZ	55HZ	55HZ	1-2S
OVGF1-T	0.1S	0.1S	0.1S	0.1S	50-55HZ
OV-G-F2	52HZ	52HZ	55HZ	55HZ	0-0.2S
OVGF2-T	0.1S	0.1S	0.1S	0.1S	50-55HZ
OV-GV1-T	1.5S	1.5S	1.5S	1.5S	0-0.2S
UN-G-F1	47HZ	47HZ	45HZ	45HZ	45-50HZ
UNGF1-T	1.5S	1.5S	5S	1.5S	1-6S
UN-G-F2	47HZ	47HZ	45HZ	45HZ	45-50HZ
UNGF2-T	1.5S	1.5S	5S	1.5S	1-6S
Startup-T	60S	60S	60S	60S	15-1000S
Restore-T	60S	60S	60S	60S	15-600S
Recover-VH	253V	253V	253V	253V	
Recover-VL	205V	205V	205V	198V	
Recover-FH	50.15Hz	50.15Hz	50.15Hz	50.15Hz	
Recover-FL	47.5Hz	47.5Hz	47.5Hz	47.5Hz	
Start-VH	253V	253V	253V	253V	
Start-VL	205V	205V	205V	198V	
Start-FH	50.15Hz	50.15Hz	50.15Hz	50.15Hz	
Start-FL	47.5Hz	47.5Hz	47.5Hz	47.5Hz	

## 2) Grid Parameters

Setting path: Main -> Setting -> Advance Setting -> Grid Parameters.

Here you can set the protection value of grid voltage and frequency. The default value is the specified value under the current safety regulations, and the user cannot change it.

The display content will be displayed according to the requirements of local laws and regulations, which are constantly increasing. Please refer to the contents displayed on the inverter screen.

<b>Grid Parameters</b> >OverVoltage_L1 265.0V	<b>Grid Parameters</b> >UnderVoltage_L1 180.0V	<b>Grid Parameters</b> >OverFreq_L1 52.00Hz
<b>Grid Parameters</b> >UnderFreq_L1 47.00Hz	<b>Grid Parameters</b> >Vac 10min Avg 258.0V	<b>Grid Parameters</b> >OverVoltage_L2 275.0V
<b>Grid Parameters</b> >UnderVoltage_L2 70.0V	<b>Grid Parameters</b> >OverFreq_L2 52.00Hz	<b>Grid Parameters</b> >UnderFreq_L2 47.00Hz
<b>Grid Parameters</b> >Tovp_L1 1000ms	<b>Grid Parameters</b> >Tuvp_L1 10000ms	<b>Grid Parameters</b> >Tofp_L1 100ms
<b>Grid Parameters</b> >Tufp_L1 1000ms	<b>Grid Parameters</b> >Tovp_L2 100ms	<b>Grid Parameters</b> >Tuvp_L2 1000ms
<b>Grid Parameters</b> >Tofp_L2 100ms	<b>Grid Parameters</b> >Tufp_L2 1000ms	<b>Grid Parameters</b> >Reconnection Time 60s
<b>Grid Parameters</b> >Checking Time 60s	<b>Grid Parameters</b> > OFPL_Setting	<b>OFPL_Setting</b> OFPL_Curve Symmetric
<b>OFPL_Setting</b> OFPL_Curve Asymmetry	<b>OFPL_Setting</b> OFPL_RemovePoint(Aus.) 50.10Hz	<b>OFPL_Setting</b> OFPL_OverFreqhyste(Aus.) 50.15Hz
<b>OFPL_Setting</b> OFPL_StartPoint 50.25Hz	<b>OFPL_Setting</b> OFPL_DropRate 5%	<b>OFPL_Setting</b> OFPL_DelayTime 0.05

<b>OFPL_Setting</b> W(Gra) 19.00%	<b>OFPL_Setting</b> Tstop 20S	<b>OFPL_Setting</b> fstop-disch 50.75Hz
<b>OFPL_Setting</b> fP min 52.00Hz	<b>Grid Parameters</b> > UFPL_Setting	<b>UFPL_Setting</b> UFPL_RemovePoint(Aus.) 49.90Hz
<b>UFPL_Setting</b> UFPL_UnderFreqhyste(Aus.) 49.85Hz	<b>UFPL_Setting</b> UFPL_StartPoint 49.75Hz	<b>UFPL_Setting</b> UFPL_DropRate 2%
<b>UFPL_Setting</b> UFPL_DelayTime 0.0S	<b>OFPL_Setting</b> fstop-ch 49.00Hz	<b>OFPL_Setting</b> fP max 48.00Hz
<b>Grid Parameters</b> Local Command 0 1	<b>Grid Parameters</b> Connect Slope 0%	<b>Grid Parameters</b> Reconnect Slope 0%
<b>Grid Parameters</b> Vac 10min Time 603s	<b>Grid Parameters</b> > Connection	<b>Connection</b> Low frequency 00.00Hz
<b>Connection</b> High frequency 00.00Hz	<b>Connection</b> Low voltage 00.0V	<b>Connection</b> High voltage 00.0V
<b>Connection</b> Observation time 0.0S	<b>Connection</b> Gradient Select Disable Enable	<b>Connection</b> Gradient 0%
<b>Grid Parameters</b> > Reconnection	<b>Reconnection</b> Low frequency 00.00Hz	<b>Reconnection</b> High frequency 00.00Hz
<b>Reconnection</b> Low voltage 00.0V	<b>Reconnection</b> High voltage 00.0V	<b>Reconnection</b> Observation time 0.0S
<b>Reconnection</b> Gradient Select Disable Enable	<b>Reconnection</b> Gradient 0%	<b>Grid Parameters</b> > Pf Function
<b>Pf Function</b> Disable Enable		

### 3) Charger

Here the user can set the parameters of charger on this page, the inverter is compatible with both lithium battery. Users can set the charge & discharge parameters.

For the detailed parameters, please refer to below table.

<b>Charger</b> Battery Type Lead Acid Lithium	<b>Charger</b> Lead Acid
<b>Charger</b> Charge Equalization 00.0V	<b>Charger</b> Charge float 00.0V
<b>Charger</b> Discharge Cut 00.0V	<b>Charger</b> Discharge BackUp 00.0V
<b>Charger</b> >Max Charge Current: 30A	<b>Charger</b> >Max Discharge Current: 30A
<b>Charger</b> Charge upper limit 100%	<b>Charger</b> Lithium
<b>Charger</b> >Max Charge Current: 30A	<b>Charger</b> >Max Discharge Current: 30A
<b>Charger</b> Charge upper limit 100%	

### 4) Export Control

This feature allows the inverter to control the amount of electricity output to the grid.

The factory value is the default and can be changed by the user. The user value set by setup must be less than the maximum. If the user does not want to supply power to the grid, set it to 0.

<b>Export Control</b> User value: 0W
--

5) Meter/CT Settings

The user needs to select the CT or electricity meter to connect the inverter here. CT is a default, when users choose CT, there is only Meter 2 Addr setting. All will show on the inverter screen when users choose Meter.

<b>CT/Meter Setting</b> > Select Meter      CT	<b>CT/Meter Setting</b> > Select Disable      Enable
<b>CT/Meter Setting</b> > Meter 1Addr: 1	<b>CT/Meter Setting</b> > Meter 2 Addr: 2
<b>CT/Meter Setting</b> > Meter 1Direction: Positive      Negative	<b>CT/Meter Setting</b> > Meter 2 Direction: Positive      Negative
<b>CT/Meter Setting</b> CTType 100A/200A	<b>CT/Meter Setting</b> > External INV Disable      Enable
<b>CT/Meter Setting</b> Meter/CT Check Disable      Enable	<b>CT/Meter Setting</b> CT status: Disable CT status: Checking CT status: Success

6) Self Test (only for CEI 0-21)

The self test function allows users to test the following items. "Full test", "Ovp(59.S2) test", "Uvp (s1) test", "Uvp (27. s2) test", "Ofp (81> .S1) test", "Ufp (81 <.S1) test", "Ufp (81> .S2) test", "Ufp (81 <.S2) test", "Ovp10 (59. s1) test".

In the self-test interface, the user can select "all tests" or a single test item for testing.

Before testing, make sure that the inverter is connected to the grid. All tests take about 6 minutes. And it will display "Success" and then "Delivery".

For a single test item, it takes about a few seconds or minutes. Click "Test Report" to view the test results of all items.

<b>Self Test</b> ALL Test Test report Ovp(59.S2) test Uvp(27.S1) test Uvp(27.S2) test Ofp(81>.S1) test Ufp(81<.S1) test Ofp2(81>.S2) test Ufp2(81<.S2) test Ovp10(59.S1) test
---

<b>Self Test</b> All Test	<b>Ovp(59.S2)test</b> Vt: 0.0V Tt: 0ms Vs: 0.0V To: 0ms V0: 0.0V Test/Pass
<b>Uvp(27.S1)test</b> Vt: 0.0V Tt: 0ms Vs: 0.0V To: 0ms V0: 0.0V Test/Pass	<b>Uvp(27.S2)test</b> Vt: 0.0V Tt: 0ms Vs: 0.0V To: 0ms V0: 0.0V Test/Pass
<b>Ofp(81&gt;.S1)test</b> Vt: 0.0V Tt: 0ms Vs: 0.0V To: 0ms V0: 0.0V Test/Pass	<b>Ufp2(81&lt;.S1)test</b> Vt: 0.0V Tt: 0ms Vs: 0.0V To: 0ms V0: 0.0V Test/Pass
<b>Ofp2(81&gt;.S2)test</b> Vt: 0.0V Tt: 0ms Vs: 0.0V To: 0ms V0: 0.0V Test/Pass	<b>Ufp2(81&lt;.S2)test</b> Vt: 0.0V Tt: 0ms Vs: 0.0V To: 0ms V0: 0.0V Test/Pass



<b>Ovp_10(59.S1)test</b> Vt: 0.0V Tt: 0ms Vs: 0.0V To: 0ms V0: 0.0V Test/Pass	<b>Self Test</b>  Test Report
<b>Ovp(59.S2)result</b> Vt: 0.0V Tt: 0ms Vs: 0.0V To: 0ms V0: 0.0V NA/Pass	<b>Uvp(27.S1)result</b> Vt: 0.0V Tt: 0ms Vs: 0.0V To: 0ms V0: 0.0V NA/Pass
<b>Uvp(27.S2)result</b> Vt: 0.0V Tt: 0ms Vs: 0.0V To: 0ms V0: 0.0V NA/Pass	<b>Ofp(81&gt;.S1)result</b> Vt: 0.0V Tt: 0ms Vs: 0.0V To: 0ms V0: 0.0V NA/Pass
<b>Ufp(81&lt;.S1)result</b> Vt: 0.0V Tt: 0ms Vs: 0.0V To: 0ms V0: 0.0V NA/Pass	<b>Ofp2(81&gt;.S2)result</b> Vt: 0.0V Tt: 0ms Vs: 0.0V To: 0ms V0: 0.0V NA/Pass
<b>Ufp2(81&lt;.S2)result</b> Vt: 0.0V Tt: 0ms Vs: 0.0V To: 0ms V0: 0.0V NA/Pass	<b>Ovp10(59.S1)result</b> Vt: 0.0V Tt: 0ms Vs: 0.0V To: 0ms V0: 0.0V NA/Pass

7) GMPPT

Here, you can set the shadow tracking with four options, which are off, low, middle, and high.

<b>GMPPT</b> PV1 Control OFF/Low/Middle/High	<b>GMPPT</b> PV2 Control OFF/Low/Middle/High
--	--

8) Modbus

Here you select the baud rate of the external communication protocol.

<b>Modbus</b> Baud Rate: 19200	<b>Modbus</b> Address: 1
--------------------------------------	--------------------------------

9) External ATS

INCORRECT line sequence (R-R, S-S, T-T, N-N) will damage the inverter. To avoid the damage, the default "Disable" has been set to "Enable" in "External ATS" under "Advance Settings". Users should set the default setting back to "Disable". External ATS needs to be set to "Enable" only when a matebox advanced is connected.

<b>External ATS</b> Functional Control Disable Enable
---

10) Power Factor (applicable to specific countries, please refer to local grid requirements)

<b>Power Factor</b> Mode Select > Off <	<b>Power Factor</b> Mode Select > Over-excited <
<b>Power Factor</b> Mode Select > Under-Excited <	<b>Power Factor</b> Mode Select > Curve <
<b>Power Factor</b> Mode Select > Q(u) <	<b>Power Factor</b> Mode Select > Fixed Q Power <

Mode	Comment
Off	-
Over-Excited	PF value
Under-Excited	PF value
Curve	P1_PF
	P2_PF
	P3_PF
	P4_PF
	Power 1
	Power 2
	Power 3
	Power 4
	PfLockInPoint (EU50549 only)
	PfLockOutPoint (EU50549 only)
Q(u)	3Tau
	SetQuPower1
	SetQuPower2
	SetQuPower3
	SetQuPower4
	QuRespondV1( AS4777.2 only)
	QuRespondV2( AS4777.2 only)
	QuRespondV3( AS4777.2 only)
	QuRespondV4( AS4777.2 only)
	K
	3Tau
	QuDelayTimer
	QuLockEn
Fixed Q Power	Q Power

QuLockSetting	
QuLockFunction	Enable    Disable

QuLockSetting	
QuLockIn	0%

QuLockSetting	
QuLockOut	0%

11 ) PU Function (applicable to specific countries, please refer to local grid requirements)  
 The PU function is a volt-watt response mode required by certain national standards such as AS4777.2. This function can control the active power of the inverter according to the grid voltage. Selecting "Enable" means that this function is turned on and is the default value.  
 Select "Disable" to deactivate the function.

<table border="1"> <thead> <tr> <th>PU Function</th> </tr> </thead> <tbody> <tr> <td>&gt;PuFunction</td> </tr> <tr> <td>Enable</td> </tr> </tbody> </table>	PU Function	>PuFunction	Enable	<table border="1"> <thead> <tr> <th>PU Function</th> </tr> </thead> <tbody> <tr> <td>Response V1</td> </tr> <tr> <td>0.0V</td> </tr> </tbody> </table>	PU Function	Response V1	0.0V	<table border="1"> <thead> <tr> <th>PU Function</th> </tr> </thead> <tbody> <tr> <td>Response V2</td> </tr> <tr> <td>0.0V</td> </tr> </tbody> </table>	PU Function	Response V2	0.0V
PU Function											
>PuFunction											
Enable											
PU Function											
Response V1											
0.0V											
PU Function											
Response V2											
0.0V											
<table border="1"> <thead> <tr> <th>PU Function</th> </tr> </thead> <tbody> <tr> <td>Response V3</td> </tr> <tr> <td>0.0V</td> </tr> </tbody> </table>	PU Function	Response V3	0.0V	<table border="1"> <thead> <tr> <th>PU Function</th> </tr> </thead> <tbody> <tr> <td>Response V4</td> </tr> <tr> <td>0.0V</td> </tr> </tbody> </table>	PU Function	Response V4	0.0V	<table border="1"> <thead> <tr> <th>PU Function</th> </tr> </thead> <tbody> <tr> <td>3Tau</td> </tr> <tr> <td>0S</td> </tr> </tbody> </table>	PU Function	3Tau	0S
PU Function											
Response V3											
0.0V											
PU Function											
Response V4											
0.0V											
PU Function											
3Tau											
0S											
<table border="1"> <thead> <tr> <th>PU Function</th> </tr> </thead> <tbody> <tr> <td>SetPuPower 1</td> </tr> <tr> <td>0%</td> </tr> </tbody> </table>	PU Function	SetPuPower 1	0%	<table border="1"> <thead> <tr> <th>PU Function</th> </tr> </thead> <tbody> <tr> <td>SetPuPower 2</td> </tr> <tr> <td>0%</td> </tr> </tbody> </table>	PU Function	SetPuPower 2	0%	<table border="1"> <thead> <tr> <th>PU Function</th> </tr> </thead> <tbody> <tr> <td>SetPuPower 3</td> </tr> <tr> <td>0%</td> </tr> </tbody> </table>	PU Function	SetPuPower 3	0%
PU Function											
SetPuPower 1											
0%											
PU Function											
SetPuPower 2											
0%											
PU Function											
SetPuPower 3											
0%											
<table border="1"> <thead> <tr> <th>PU Function</th> </tr> </thead> <tbody> <tr> <td>SetPuPower 4</td> </tr> <tr> <td>0%</td> </tr> </tbody> </table>	PU Function	SetPuPower 4	0%	<table border="1"> <thead> <tr> <th>PU Function</th> </tr> </thead> <tbody> <tr> <td>3Tau_Charge</td> </tr> <tr> <td>0S</td> </tr> </tbody> </table>	PU Function	3Tau_Charge	0S	<table border="1"> <thead> <tr> <th>PU Function</th> </tr> </thead> <tbody> <tr> <td>Pu Type</td> </tr> <tr> <td>Static    Dynamics</td> </tr> </tbody> </table>	PU Function	Pu Type	Static    Dynamics
PU Function											
SetPuPower 4											
0%											
PU Function											
3Tau_Charge											
0S											
PU Function											
Pu Type											
Static    Dynamics											

12 ) FVRT Function(apply to50549)

Here you can set the high and low enable or disable.

FVRT Function		FVRT Function		FVRT Function	
Function Control		VacUpper		VacLower	
Disable	Enable	00.0V		00.0V	

13 ) Power limit

Power limit function, the maximum power of the AC port can be set by percentage.

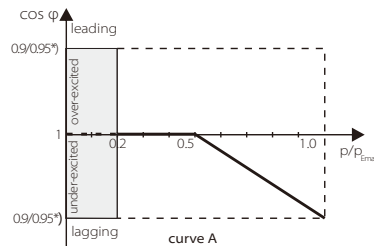
Power Limit	
>Proportion	1.00

- Reactive power control, reactive power standard curve  $\cos \varphi = f(P)$

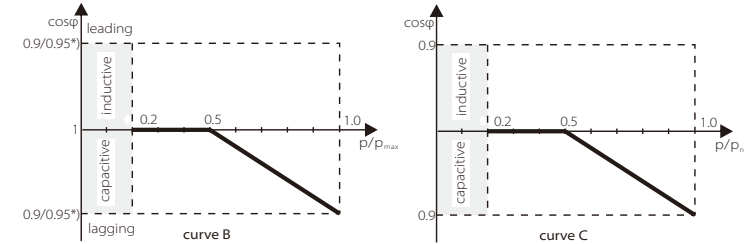
For VDE ARN 4105, the curve  $\cos \varphi = f(P)$  should refer to curve A. The set default value is shown in curve A.

For TOR, the curve  $\cos \varphi = f(P)$  should be curve B. The set default value is shown in curve B.

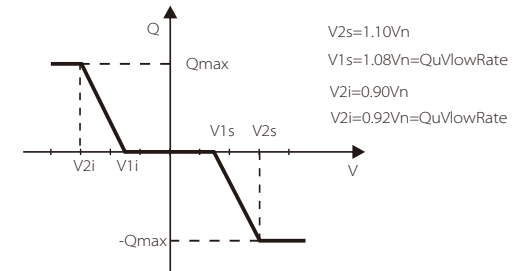
For CEI 0-21, the default value of PFLockInPoint is 1.05. When  $V_{ac} > 1.05V_n$ ,  $P_{ac} > 0.2 P_n$ , curve  $\cos \varphi = f(P)$  corresponds to curve C.



\*) If the grid-connected power of the inverter  $\leq 4.6kW$ , the Power Factor is 0.95 at 1.0 power; if the grid-connected power of the inverter  $> 4.6kW$ , the Power Factor is 0.90 at 1.0 power.



- Reactive power control, reactive power standard curve  $Q = f(V)$ .



14 ) DRM function (applied to NZS4777.2)

The DRM function is a demand response method required by the NZS4777.2 standard and is only applicable to NZS4777.2. The default value is "enable". Select "Disable" to disable this function.

DRM Function	
>Function Control	Enable Disable

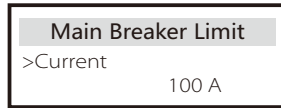
15 ) Parallel Setting

If a parallel operation is required, the user may set it with Parallel Setting.

Parallel Setting		Parallel Setting	
> Status	Free/Master/Slave_1	resistance switch	
Setting	Free Master	OFF	ON
Parallel Setting			
ARM Comm Check			
Yes	No		

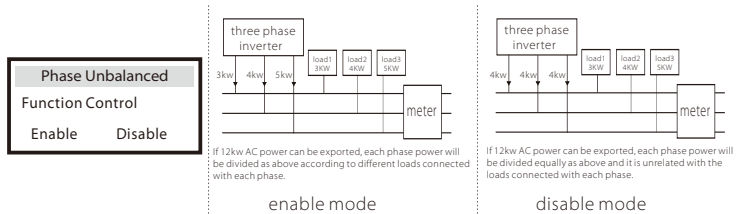
16) Main Breaker Limit

For power limit of smart meter or CT, the current must be set in line with the utility's contract requirements. In case of failure to set, it may cause a circuit breaker fault of main switchboard, adversely affecting the charging or discharging of battery. Click Main Breaker Limit to enter the setting interface, and then choose the corresponding amperage according to the utility's requirements.



17) Phase Unbalanced

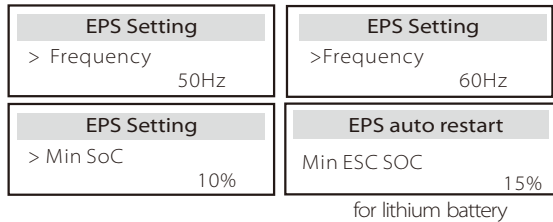
This function controls the distribution of AC output power. "Enable" means each phase will be divided according to the loads connected with each phase. "Disable" means each phase power will be divided equally and "disable" is the default setting value.



18) EPS Setting

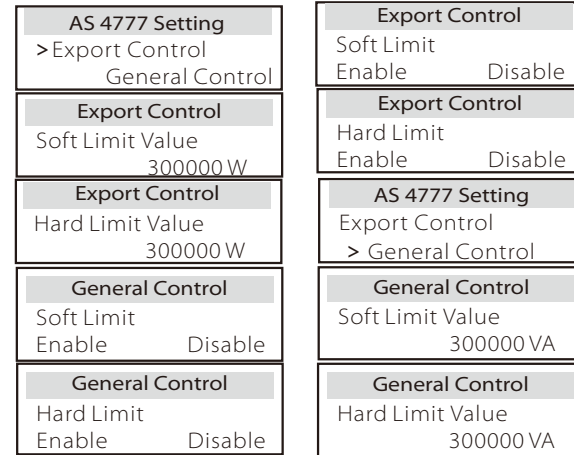
Users can set the frequency selection in the EPS mode here, and set the minimum SOC and minimum ESC SOC.

When the device is in EPS mode, once the battery SOC is lower than the Min SOC of the inverter, it displays "Bat Power Low". If there is PV, the energy of PV will charge the battery. When the SOC of the battery reaches the Min Esc SOC, the inverter will automatically enter EPS mode. The default value of Min Esc SOC is 30% and Min Esc SOC can set between 15% and 100%.



19) AS 4777 Setting

It is the same as the function of Export Control, but it's only applicable to Australia and New Zealand.

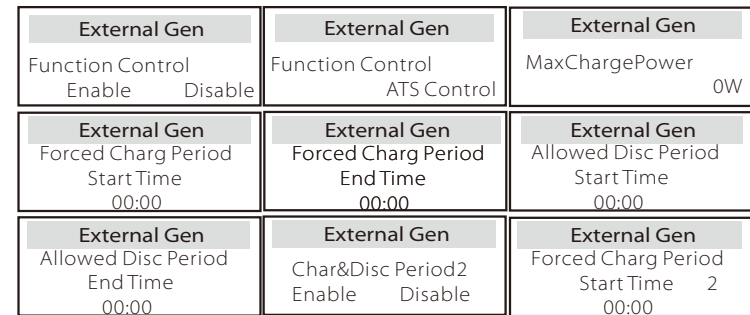


20) ExternalGen

Setting path: Advance Setting->ExternalGen->Function Control: Enable/Disable; Max Charge Power: \*\*\*W.

The set value of power must meet the following two conditions when the maximum charging power of batteries is to be set.

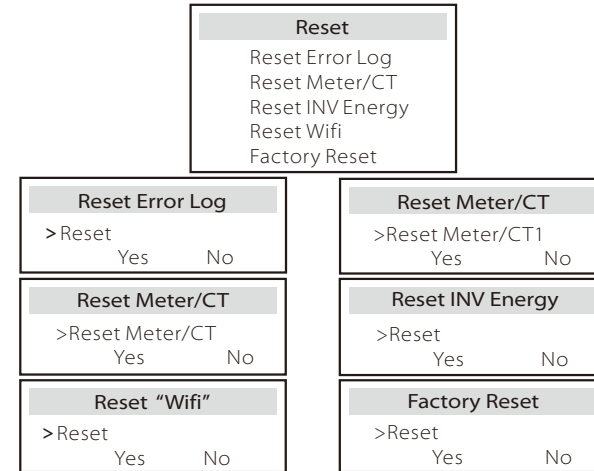
- 1) The value of Max Charge Power is less than that of rated power of the generator minus total load power.
- 2) The value of Max Charge Power is less than or equals that of rated power of the inverter.



<b>External Gen</b> Forced Charg Period End Time 2 00:00	<b>External Gen</b> Allowed Disc Period Start Time 2 00:00	<b>External Gen</b> Allowed Disc Period End Time 2 00:00
<b>External Gen</b> Charge from grid Enable	<b>Charge from grid</b> Charge battery to 10%	<b>ExternalGen</b> Function Control Dry Contact
<b>ExternalGen</b> MaxChargePower 0W	<b>ExternalGen</b> Start Gen Method reference soc	<b>ExternalGen</b> Switch on SoC 0%
<b>ExternalGen</b> Switch off SoC 0%	<b>ExternalGen</b> MaxRunTime 0Min	<b>ExternalGen</b> MaxRestTime 0Min
<b>ExternalGen</b> Char&Disc Period2 Enable Disable	<b>ExternalGen</b> Forced Charg Period Start Time 2 00:00	<b>ExternalGen</b> Allow Work start time 00:00
<b>ExternalGen</b> Allow Work stop time 00:00	<b>ExternalGen</b> Forced Charg Period End Time 2 00:00	<b>ExternalGen</b> Allowed Disc Period Start Time 2 00:00
<b>External Gen</b> Forced Charg Period Start Time 1 00:00	<b>External Gen</b> Forced Charg Period End Time 1 00:00	<b>External Gen</b> Allowed Disc Period End Time 2 00:00
<b>External Gen</b> Charge from grid: Enable	<b>External Gen</b> Allowed Disc Period Start Time 1 00:00	<b>External Gen</b> Allowed Disc Period End Time 1 00:00
<b>External Gen</b> Charge battery to 10%	<b>External Gen</b> Charge from grid Enable	<b>Charge from grid</b> Charge battery to 10%

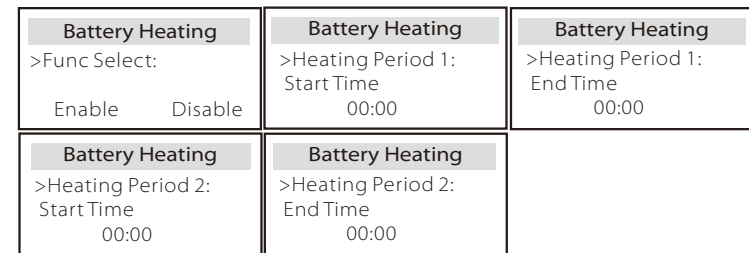
21 ) Reset

Users can reset the reset error log, meter power ,inverter power, and restore factory settings here.



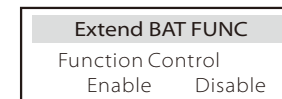
22 ) Battery Heating

If the user needs the battery heating function, you can set it to turn on here, and set the time period that needs to be heated, and the two time periods can be set. (Only for batteries with heating function)



23 ) Extend BAT FUNC

This function is for extending new batteries. This setting shall be invalid under the EPS mode. When it is on-grid, enabling this setting shall make the inverter charge or discharge the battery SOC to about 40%, which is convenient for adding new batteries.



24) HotStandby Setting

It is "Enable" by default. Setting "Disable" will make the inverter cannot enter standby status.



25) Pgrid Bias

Here you can set whether to discharge more to the grid or prefer to take power from the grid. If disable is selected, means no preference. If Grid is selected, the inverter will be biased to discharge the mains; if INV is selected, the inverter will be biased to take power from the mains.



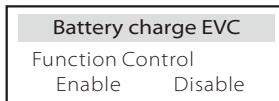
26) PV Connection

This setting depends on the actual connection ways of PV panels.



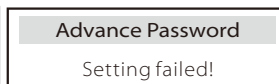
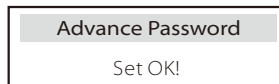
27) Battery charge EVC

Here you can set "Enable" to allow the battery to discharge energy to an EV Charger. When you set "Disable", battery discharging energy to an EV Charger is not allowed.

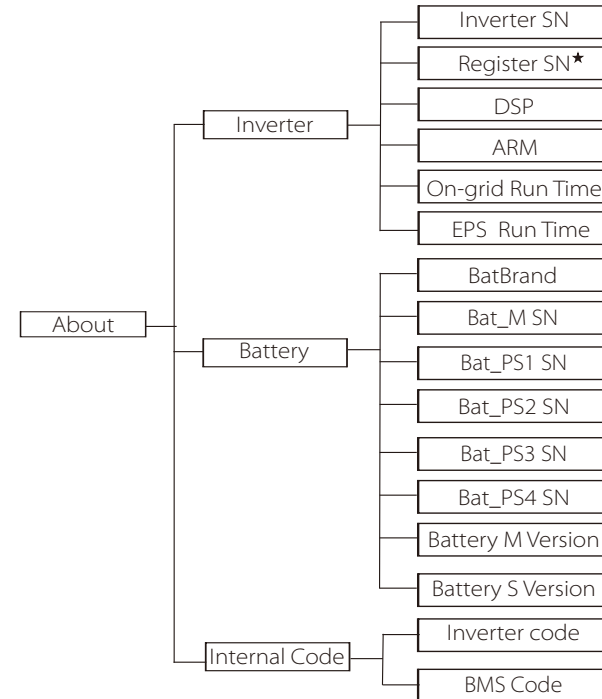


28) Advance password

Here you can reset the advanced password. "Set OK!" is displayed on success, and "Setup Failed!" will also be displayed on failure.



> About



★ Register1 SN: Represents the serial number of external monitoring equipment, such as Wifi Dongle, LAN Dongle.

a) About

Here you can see some basic information of the inverter and battery, such as the inverter and battery SN number, software version number, and system run time.

About
>Inverter
Battery
Internal code

Inverter

<table border="1"> <thead> <tr> <th>Inverter</th> </tr> </thead> <tbody> <tr> <td>&gt;Inverter SN 01234560123456</td> </tr> </tbody> </table>	Inverter	>Inverter SN 01234560123456	<table border="1"> <thead> <tr> <th>Inverter</th> </tr> </thead> <tbody> <tr> <td>&gt;Register SN SW12345678</td> </tr> </tbody> </table>	Inverter	>Register SN SW12345678
Inverter					
>Inverter SN 01234560123456					
Inverter					
>Register SN SW12345678					
<table border="1"> <thead> <tr> <th>Inverter</th> </tr> </thead> <tbody> <tr> <td>&gt;DSP 2.07</td> </tr> </tbody> </table>	Inverter	>DSP 2.07	<table border="1"> <thead> <tr> <th>Inverter</th> </tr> </thead> <tbody> <tr> <td>&gt;ARM 2.03</td> </tr> </tbody> </table>	Inverter	>ARM 2.03
Inverter					
>DSP 2.07					
Inverter					
>ARM 2.03					
<table border="1"> <thead> <tr> <th>Inverter</th> </tr> </thead> <tbody> <tr> <td>&gt;ON-grid Runtime 12.3H</td> </tr> </tbody> </table>	Inverter	>ON-grid Runtime 12.3H	<table border="1"> <thead> <tr> <th>Inverter</th> </tr> </thead> <tbody> <tr> <td>&gt;EPS Runtime 23.4H</td> </tr> </tbody> </table>	Inverter	>EPS Runtime 23.4H
Inverter					
>ON-grid Runtime 12.3H					
Inverter					
>EPS Runtime 23.4H					

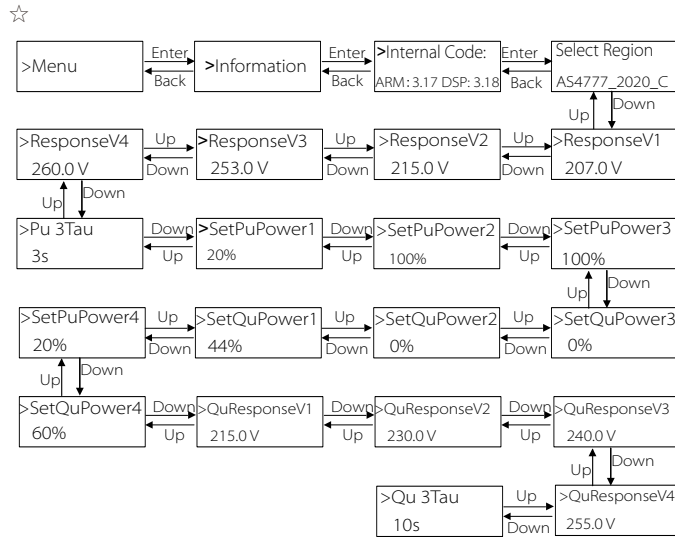
Battery

<table border="1"> <thead> <tr> <th>Battery</th> </tr> </thead> <tbody> <tr> <td>&gt;BatBrand:BAK</td> </tr> </tbody> </table>	Battery	>BatBrand:BAK	<table border="1"> <thead> <tr> <th>Battery</th> </tr> </thead> <tbody> <tr> <td>&gt;Bat_M SN 6S012345012345</td> </tr> </tbody> </table>	Battery	>Bat_M SN 6S012345012345
Battery					
>BatBrand:BAK					
Battery					
>Bat_M SN 6S012345012345					
<table border="1"> <thead> <tr> <th>Battery</th> </tr> </thead> <tbody> <tr> <td>&gt;Bat_PS1 SN 6S012345012345</td> </tr> </tbody> </table>	Battery	>Bat_PS1 SN 6S012345012345	<table border="1"> <thead> <tr> <th>Battery</th> </tr> </thead> <tbody> <tr> <td>&gt;Bat_PS2 SN 6S012345012345</td> </tr> </tbody> </table>	Battery	>Bat_PS2 SN 6S012345012345
Battery					
>Bat_PS1 SN 6S012345012345					
Battery					
>Bat_PS2 SN 6S012345012345					
<table border="1"> <thead> <tr> <th>Battery</th> </tr> </thead> <tbody> <tr> <td>&gt;Bat_PS3 SN 6S012345012345</td> </tr> </tbody> </table>	Battery	>Bat_PS3 SN 6S012345012345	<table border="1"> <thead> <tr> <th>Battery</th> </tr> </thead> <tbody> <tr> <td>&gt;Bat_PS4 SN 6S012345012345</td> </tr> </tbody> </table>	Battery	>Bat_PS4 SN 6S012345012345
Battery					
>Bat_PS3 SN 6S012345012345					
Battery					
>Bat_PS4 SN 6S012345012345					
<table border="1"> <thead> <tr> <th>Battery</th> </tr> </thead> <tbody> <tr> <td>&gt;Battery M Version 2.01</td> </tr> </tbody> </table>	Battery	>Battery M Version 2.01	<table border="1"> <thead> <tr> <th>Battery</th> </tr> </thead> <tbody> <tr> <td>&gt;Battery S Version 2.01</td> </tr> </tbody> </table>	Battery	>Battery S Version 2.01
Battery					
>Battery M Version 2.01					
Battery					
>Battery S Version 2.01					

Internal Code

<table border="1"> <thead> <tr> <th>Internal Code</th> </tr> </thead> <tbody> <tr> <td>&gt;Inverter code: 01 00 01 xx</td> </tr> </tbody> </table>	Internal Code	>Inverter code: 01 00 01 xx	<table border="1"> <thead> <tr> <th>Internal Code</th> </tr> </thead> <tbody> <tr> <td>&gt;BMS code:</td> </tr> </tbody> </table>	Internal Code	>BMS code:	
Internal Code						
>Inverter code: 01 00 01 xx						
Internal Code						
>BMS code:						
<table border="1"> <thead> <tr> <th>Internal Code</th> </tr> </thead> <tbody> <tr> <td>&gt;BAT-M 2.01</td> </tr> </tbody> </table>	Internal Code	>BAT-M 2.01	<table border="1"> <thead> <tr> <th>Internal Code</th> </tr> </thead> <tbody> <tr> <td>&gt;BAT-S1 1.01 50</td> </tr> </tbody> </table>	Internal Code	>BAT-S1 1.01 50	
Internal Code						
>BAT-M 2.01						
Internal Code						
>BAT-S1 1.01 50						
<table border="1"> <thead> <tr> <th>Internal Code</th> </tr> </thead> <tbody> <tr> <td>&gt;BAT-S2 1.01 50</td> </tr> </tbody> </table>	Internal Code	>BAT-S2 1.01 50	<table border="1"> <thead> <tr> <th>Internal Code</th> </tr> </thead> <tbody> <tr> <td>•••</td> </tr> <tr> <td>&gt;BAT-S8 1.01 50</td> </tr> </tbody> </table>	Internal Code	•••	>BAT-S8 1.01 50
Internal Code						
>BAT-S2 1.01 50						
Internal Code						
•••						
>BAT-S8 1.01 50						

Information



Note!

- Once settings are selected at commissioning they are locked to view only.
- In case of a Path Diagram with the mark of "☆", it indicates that such a Path Diagram is only applicable to Australia and New Zealand.

## 8 Troubleshooting

### 8.1 Troubleshooting

This section contains information and procedures for resolving possible problems with the inverter, and provides you with troubleshooting tips to identify and solve most problems that may occur in the inverter. This section will help you narrow down the source of any problems you may encounter. Please read the troubleshooting steps below.

Check the warning or fault information on the system control panel or the fault code on the inverter information panel. If a message is displayed, log it before doing anything further. Try the solutions indicated in the table below.

Number	Faults	Diagnosis and solution
IE 01	TZ Protect Fault	Overcurrent fault. • Wait for a while to check if you're back to normal. • Disconnect PV+ PV- and batteries, reconnect. • Or ask for help from the installer if it can not return to normal.
IE 02	Grid Lost Fault	• Check battery input voltage if it's within normal range • Or ask the installer for help.
IE 03	Grid Volt Fault	Power grid voltage overrun • Wait a moment, if the utility returns to normal, the system will reconnect. • Please check if the grid voltage is within normal range. • Or ask the installer for help.
IE 04	Grid Freq Fault	Electricity frequency beyond range • If the utility returns to normal, the system reconnects. • Or ask the installer for help.
IE 05	PV Volt Fault	PV voltage out of range • Check the output voltage of the PV panel • Or ask the installer for help.
IE 06	Bus Volt Fault	• press the "ESC" key to restart the inverter. • Check that the PV input open circuit voltage is in the normal range. • Or ask the installer for help.
IE 07	Bat Volt Fault	Battery voltage fault • Check battery input voltage if it's within normal range • Or ask the installer for help.
IE 08	AC10mins Volt	• The grid voltage was out of range in the last 10 minutes. • The system will return to normal if the grid returns to normal. • Or ask the installer for help.



Number	Faults	Diagnosis and solution
IE 09	DCI OCP Fault	DCI overcurrent protection fault. • Wait for a while to check if it's back to normal. • Or ask the installer for help.
IE 10	DCV OVP Fault	DCV EPS(Off-grid) overvoltage protection failure. • Wait for a while to check if it's back to normal. • Or ask the installer for help.
IE 11	SW OCP Fault	Software Detection of Overcurrent Fault. • Wait for a while to check if it's back to normal. • Shut down photovoltaic, battery and grid connections • Or ask the installer for help.
IE 12	RC OCP Fault	Overcurrent protection fault. • Check the impedance of DC input and AC output. • Wait for a while to check if it's back to normal. • Or ask the installer for help.
IE 13	Isolation Fault	Insulation Fault • Please check the wire insulation for damage. • Wait for a while to check if it's back to normal. • Or ask the installer for help.
IE 14	Temp Over Fault	Temperature beyond limit • Check if ambient temperature exceeds the limit. • Or ask the installer for help.
IE 15	Bat Con Dir Fault	EPS(Off-grid) mode current is too strong. • Ensure that the load power is within the EPS(Off-grid) power range. • Check for any non-linear load connections on the EPS(Off-grid). • Move this load to check for recovery. • Or ask for help from the installer if it can not return to normal.
IE 16	EPS Overload Fault	EPS(Off-grid) over load fault. • Shutdown the high-power device and press the "ESC" key to restart the inverter. • Or ask for help from the installer if it can not return to normal.
IE 17	Overload Fault	On-grid mode over load • Shutdown the high-power device and press the "ESC" key to restart the inverter. • Or ask for help from the installer if it can not return to normal.
IE 18	BatPowerLow	• Close the high-power device and press the "ESC" key to restart the inverter. • Please charge the battery to a level higher than the protection capacity or protection voltage
IE 19	BMS Lost	Battery communication loss • Check that the communication lines between the battery and the inverter are properly connected. • Or ask for help from the installer if it can not return to normal.
IE 20	Fan Fault	Fan Fault • Check for any foreign matter that may have caused the fan not to function properly. • Or ask for help from the installer if it can not return to normal.
IE 21	Low TempFault	Low temperature fault. • Check if the ambient temperature is too low. • Or ask for help from the installer if it can not return to normal.

Number	Faults	Diagnosis and solution
IE 25	InterComFault	Mgr InterCom Fault • Shut down photovoltaic, battery and grid, reconnect. • Or ask for help from the installer if it can not return to normal.
IE 26	INV EEPROM	Inverter EEPROM Fault. • Shut down photovoltaic, battery and grid, reconnect. • Or ask for help from the installer if it can not return to normal.
IE 27	RCD Fault	Fault of Residual Current Device • Check the impedance of DC input and AC output. • Disconnect PV + PV - and batteries, reconnect. • Or ask for help from the installer if it can not return to normal.
IE 28	Grid Relay Fault	Electrical relay failure • Disconnect PV+ PV- grid and batteries and reconnect. • Or ask for help from the installer if it can not return to normal.
IE 29	EPS(Off-grid) Relay Fault	EPS(Off-grid) relay failure • Disconnect PV+, PV-, grid and batteries and reconnect. • Or ask for help from the installer if it can not return to normal.
IE 30	PV ConnDirFault	PV direction fault • Check if the PV input lines are connected in the opposite direction. • Or ask for help from the installer if it can not return to normal.
IE 31	Battery Relay	Charge relay fault • Press the ESC" key to restart the inverter. . • Or ask for help from the installer if it can not return to normal.
IE 32	Earth Raley	EPS(Off-grid) earth relay fault • Press the ESC" key to restart the inverter. . • Or ask for help from the installer if it can not return to normal.
IE 33	ParallelFault	Parallel Fault • Check the communication and earth cable connection and matching resistor settings. • Or ask for help from the installer if it can not return to normal.
IE 36	HardLimitFault	HardLimitFault • Check the power value set in the HardLimit setting, increase the value larger if the value. • Or ask for help from the installer if it can not return to normal.
IE 37	CtMeterConFault	CT Meter ConFault • Check whether the cable connection of the CT or meter is proper or not. • Or ask for help from the installer if it can not return to normal.
IE 101	PowerTypeFault	Power type fault • Upgrade the software and press the ESC" key to restart the inverter. • Or ask for help from the installer if it can not return to normal.
IE 102	Port OC Warning	EPS(Off-grid) port over current fault • Check that the EPS(Off-grid) load does not exceed the system requirements, and press the ESC" key to restart the inverter. . • Or ask for help from the installer if it can not return to normal.
IE 103	Mgr EEPROM Fault	Manager EEPROM Fault. • Shut down photovoltaic, battery and grid, reconnect. • Or seek help from the installer if it can not return to normal.

Number	Faults	Diagnosis and solution
IE 105	NTC Sample Invalid	NTC invalid <ul style="list-style-type: none"> <li>• Make sure the NTC is properly connected and the NTC is in good condition.</li> <li>• Please confirm that the installation environment is normal</li> <li>• Or ask for help from the installer, if it can not return to normal.</li> </ul>
IE 106	Bat Temp Low	Battery temp low <ul style="list-style-type: none"> <li>• Check the battery installation environment to ensure good heat dissipation.</li> <li>• Or ask for help from the installer, if it can not return to normal.</li> </ul>
IE 107	Bat Temp High	Battery temp high <ul style="list-style-type: none"> <li>• Check the battery installation environment to ensure good heat dissipation.</li> <li>• Or ask for help from the installer, if it can not return to normal.</li> </ul>
IE 109	Meter Fault	Meter Fault <ul style="list-style-type: none"> <li>• Please check that the instrument is working properly</li> <li>• Or seek help from the installer if it can not return to normal.</li> </ul>
IE 110	BypassRaleyFlt	Bypass relay fault <ul style="list-style-type: none"> <li>• Press the ESC* key to restart the inverter.</li> <li>• Or ask for help from the installer if it can not return to normal.</li> </ul>
IE 111	ARMParaComFlt	ARMParaComFlt <ul style="list-style-type: none"> <li>• Please check that the communication cables of inverters are well connected and the baud rate of COMM setting of inverters are the same.</li> <li>• Or seek help from the installer if it can not return to normal.</li> </ul>
IE 112	FAN1 Fault	FAN1 Fault <ul style="list-style-type: none"> <li>• Please change the fan.</li> <li>• Or seek help from the installer if it can not return to normal.</li> </ul>
IE113	FAN2 Fault	FAN2 Fault <ul style="list-style-type: none"> <li>• Please change the fan.</li> <li>• Or seek help from the installer if it can not return to normal.</li> </ul>
BE 01	BMS_Exter_Err	Battery Error - External Communication Fault <ul style="list-style-type: none"> <li>• Please contact the battery supplier.</li> </ul>
BE 02	BMS_InterErr	Battery Error - Internal Communication Fault <ul style="list-style-type: none"> <li>• Please contact the battery supplier.</li> </ul>
BE 03	BMS_OverVolt	Over voltage in battery system <ul style="list-style-type: none"> <li>• Please contact the battery supplier.</li> </ul>
BE 04	BMS_LowerVolt	Low voltage in battery system <ul style="list-style-type: none"> <li>• Please contact the battery supplier.</li> </ul>
BE 05	BMS_ChargeOCP	Battery fault - over charge fault <ul style="list-style-type: none"> <li>• Please contact the battery supplier.</li> </ul>
BE 06	DischargeOCP	Battery fault-discharge over current fault <ul style="list-style-type: none"> <li>• Please contact the battery supplier.</li> </ul>
BE 07	BMS_TemHigh	Over temperature in battery system <ul style="list-style-type: none"> <li>• Please contact the battery supplier.</li> </ul>
BE 08	BMS_TemLow	Battery temperature sensor malfunction <ul style="list-style-type: none"> <li>• Please contact the battery supplier.</li> </ul>

Number	Faults	Diagnosis and solution
BE 09	CellImblance	Battery Unbalanced Failure <ul style="list-style-type: none"> <li>• Please contact the battery supplier.</li> </ul>
BE 10	BMS_Hardware	Battery hardware protection failure <ul style="list-style-type: none"> <li>• Please contact the battery supplier.</li> </ul>
BE 11	BMS_Circuit	Battery circuit failure <ul style="list-style-type: none"> <li>• Restart the battery .</li> <li>• Please contact the battery supplier.</li> </ul>
BE 12	BMS_ISO_Fault	Battery insulation failure <ul style="list-style-type: none"> <li>• Check that the battery is properly grounded and restart the battery.</li> <li>• Please contact the battery supplier.</li> </ul>
BE 13	BMS_VolSen	Battery voltage sensor fault <ul style="list-style-type: none"> <li>• Please contact the battery supplier.</li> </ul>
BE 14	BMS_TempSen	Temperature sensor failure <ul style="list-style-type: none"> <li>• Restart the battery .</li> <li>• Please contact the battery supplier.</li> </ul>
BE 15	BMS_CurSen	Battery current sensor fault <ul style="list-style-type: none"> <li>• Please contact the battery supplier.</li> </ul>
BE 16	BMS_Relay	Battery relay failure <ul style="list-style-type: none"> <li>• Please contact the battery supplier.</li> </ul>
BE 17	TypeUnmatch	Battery type failure <ul style="list-style-type: none"> <li>• Upgrade the battery BMS software.</li> <li>• Please contact the battery supplier.</li> </ul>
BE 18	Ver Unmatch	Battery version mismatch failure <ul style="list-style-type: none"> <li>• Upgrade the battery BMS software.</li> <li>• Please contact the battery supplier.</li> </ul>
BE 19	MFR Unmatch	Battery manufacturer did not match the fault <ul style="list-style-type: none"> <li>• Upgrade the battery BMS software.</li> <li>• Please contact the battery supplier.</li> </ul>
BE 20	SW Unmatch	Battery hardware and software mismatch failure <ul style="list-style-type: none"> <li>• Upgrade the battery BMS software.</li> <li>• Please contact the battery supplier.</li> </ul>
BE 21	M&S Unmatch	Battery master slave control mismatches <ul style="list-style-type: none"> <li>• Upgrade the battery BMS software.</li> <li>• Please contact the battery supplier.</li> </ul>
BE 22	CR NORespond	Battery charging request does not respond to a fault <ul style="list-style-type: none"> <li>• Upgrade the battery BMS software.</li> <li>• Please contact the battery supplier.</li> </ul>
BE 23	SW Protect	Battery slave software protection failure <ul style="list-style-type: none"> <li>• Upgrade the battery BMS software.</li> <li>• Please contact the battery supplier.</li> </ul>
BE 24	536 Fault	Battery fault-discharge over current fault <ul style="list-style-type: none"> <li>• Please contact the battery supplier.</li> </ul>
BE 25	BMS SelfCheck	Over temperature in battery system <ul style="list-style-type: none"> <li>• Please contact the battery supplier.</li> </ul>

Number	Faults	Diagnosis and solution
BE 26	BMS_Tempdiff	Battery temperature sensor malfunction • Please contact the battery supplier.
BE 27	BMS_BreakFault	Battery Unbalanced Failure • Please contact the battery supplier.
BE 28	BMS_FlashFault	Battery hardware protection failure • Please contact the battery supplier.
BE 29	BMS_Precharge	Battery precharge failure • Please contact the battery supplier.
BE 30	AirSwitchBreaker	Battery air switch failure • Check that the battery breaker is off. • Please contact the battery supplier.

• If the information panel of your inverter does not show the fault light, check the following list to ensure the current installation status, correct operation.

- Is the inverter located in a clean, dry and well-ventilated place?
- Is the DC input circuit breaker open?
- Is the specification and length of the cable adequate?
- Are the input and output connections and wiring in good condition?
- Is the configuration set correct for your particular installation?

Please contact our customer service for further assistance. Please be prepared to describe the details of your system installation and provide the inverter serial number.

## 8.2 Routine Maintenance

Inverter do not require any maintenance or correction in most cases, but if the inverter often loses power due to overheating, this can be attributed to the following reason:

Heat sink behind the inverter is covered with dirt. If necessary, clean the cooling heat sink with a soft dry cloth or brush. Only trained and authorized professionals familiar with safety requirements can perform maintenance and maintenance work.

### ➤ Safety inspections

Safety checks should be conducted at least every 12 months, please contact the manufacturer to arrange for appropriate training, expertise, and practical experience in performing these tests. (Please note that this action is not covered by warranty). These data should be recorded in the device log. If the equipment is not running properly or any test fails, the equipment must be repaired for details of safety inspections, refer to section 2 of this manual for safety instructions and europe commission instructions.

### ➤ Regular maintenance

Only qualified people can do the following work. In the process of using frequency converter, the manager should check and maintain the machine regularly. The specific operation is as follows.

1. Check whether the heat sink is covered with dirt, clean the machine and absorb dust if necessary. This work should be performed from time to time.
2. Check whether the frequency converter indicator is normal, check whether the frequency converter button is normal, check whether the frequency converter display is normal. This inspection should be conducted at least every 6 months.
3. Check the input and output lines for damage or aging. This inspection should be conducted at least every 6 months.
4. Cleaning and safety inspection of PV modules should be carried out at least once every 6 months.

## 9 Decommissioning

### 9.1 Disassembling the Inverter

- Remove DC input line and AC output line of inverter.
- Wait for at least 5 minutes to power off.
- Remove all cable connections from the inverter.
- Remove inverter from finger support the bracket.
- Remove the bracket if necessary.

### 9.2 Packaging

Load the inverter into the original package if possible.

- If the original package can not be found, you can also use the following requirements of the carton packaging:
- Bearing capacity of more than 30 kg.
- Easy to carry.
- Can completely seal the cover.

### 9.3 Storage and Transportation

Store the inverter in a dry, temperature  $-40^{\circ}\text{C}\sim 70^{\circ}\text{C}$  environment. Pay attention to less than four machines on each stack board during storage and transportation.

### 9.4 Waste Disposal

If it is necessary to scrap the inverter or other related parts, be sure to send the waste inverter and packaging materials to the designated location for recycling by the relevant department.

## 10 Disclaimer

The inverters are transported, used and operated under limited condition, such as environmental, electrical etc. Our company shall not be liable to provide the service, technical support or compensation under conditions listed below, including but not limited to :

- Inverter is damaged or broken by force majeure (such as earthquake, flooding, thunderstorm, lighting, fire hazard, volcanic eruption etc).
- Inverter's warranty is expired and doesn't buy extended warranty.
- Can't provide the inverter's SN, warranty card or invoice.
- Inverter is damaged by man-made cause. Inverter is used or operated against any items in local policy.
- Inverter's installation, configuration, commissioning doesn't follow the requirements mentioned in this manual.
- Inverter is installed, refitted or operated in improper ways mentioned in this manual without authority from our company.
- Inverter is installed, operated under improper environment or electrical condition mentioned in this manual without authority from our company.
- Inverter is changed, updated or disassembled on hardware or software without authority from our company.
- Obtain the communication protocol from other illegal channels.
- Build monitoring, control system without authority from our company.
- Connect to other brands batteries without authority from our company.

Our company will keep right to explain all the contents in this user manual.

# Warranty Registration Form



## For Customer (Compulsory)

Name ..... Country .....

Phone Number ..... Email .....

Address .....

State ..... Zip Code .....

Product Serial Number .....

Date of Commissioning .....

Installation Company Name .....

Installer Name ..... Electrician License No. ....

## For Installer

### Module ( If Any )

Module Brand .....

Module Size(W) .....

Number of String ..... Number of Panel Per String .....

### Battery ( If Any )

Battery Type .....

Brand .....

Number of Battery Attached .....

Date of Delivery ..... Signature .....

Please visit our warranty website: <https://www.solaxcloud.com/#/warranty> to complete the online warranty registration or use your mobile phone to scan the QR code to register.

For more detailed warranty terms, please visit SolaX official website: [www.solaxpower.com](http://www.solaxpower.com) to check it.





PLEASE REGISTER THE WARRANTY  
IMMEDIATELY AFTER INSTALLATION!  
GET YOUR WARRANTY CERTIFICATE  
FROM DURACELL!  
KEEP YOUR INVERTER ONLINE & WIN  
DURACELL POINTS!

1

Open your camera app and point your device at the QR code



2

Wait for the camera to recognize the QR code



3

Click banner or notification when it appears on the screen



4

Warranty registration page will be loaded automatically

